

SelfCookingCenter®/CombiMaster® Plus



# Designers Manual

## Connection diagrams





## Ladies and Gentlemen

---

The new SelfCookingCenter® shines in terms of cooking quality and performance. The patented HiDensityControl® itself ensures maximum **uniformity every time**. It offers a powerful steam generator, dynamic air mixing and heat build-up and extremely effective dehumidification. It incorporates the **necessary reserve power** needed to perfectly coordinate the precise interaction between power, air humidity and air flow. This is the basis for consistence peak performance in every area, **rack after rack**, from front to back – particularly in large quantities.

To make everyday work easier for you as well, we have compiled this „Designers Manual“ with all the important technical information in easy-to-read form. We will also be happy to send you a free copy of the RATIONAL Designers Library in DVD or hard copy.

Why not visit us on the Internet at **portal.rational-online.com**. When you are there, simply click on „Designer Portal“ to access the new **RATIONAL Portal**. This contains a whole wealth of designer-specific information, in a compact format, well structured and clearly laid out.

Please do not hesitate to contact us if you have any further queries.

### Designer Hotline

	<b>UK</b>	<b>Germany</b>
Telefon	+44 1582 480388	+49 8191 327 134
Fax	+44 1582 485001	+49 8191 327 407
E-Mail	rational@rational-uk.co.uk	g.kramer@rational-online.de
Internet	www.rational-uk.com	www.rational-ag.com

Your  
**RATIONAL AG**

**Country-specific and local standards and regulations relating to the installation and operation of commercial cooking appliances must be followed.**

Right of new developments and technical modifications reserved.

# Contents

---

## 1 Connection diagrams

1.1. Electric units	5
1.2. Gas units	11
1.3. Mobile floor unit	17
1.4. Units with UltraVent or odour extractor hood	20
1.5. Combi-Duo - XS type 6 x 2/3 GN E on 6 x 2/3 GN E	33
1.6. Combi-Duo - type 6 x 1/1 GN E/G on 6 x 1/1 GN E	35
1.7. Combi-Duo - type 6 x 1/1 GN E/G on 10 x 1/1 GN E	39
1.8. Combi-Duo - type 6 x 2/1 GN E/G on 6 x 2/1 GN E	42
1.9. Combi-Duo - type 6 x 2/1 GN E/G on 10 x 2/1 GN E	46
1.10. Combi-Duo - type 6 x 1/1 GN G on 6 x 1/1 GN G	49
1.11. Combi-Duo - type 6 x 1/1 GN G on 10 x 1/1 GN G	52
1.12. Combi-Duo - type 6 x 2/1 GN G on 6 x 2/1 GN G	53
1.13. Combi-Duo - type 6 x 2/1 GN G on 10 x 2/1 GN G	56
1.14. Combi-Duo - type 6 x 1/1 GN E/G on 6 x 2/1 GN E	57
1.15. Combi-Duo - type 6 x 1/1 GN E/G on 10 x 2/1 GN E	58
1.16. Combi-Duo - type 6 x 1/1 GN E/G on 10 x 2/1 GN G	59
1.17. Combi-Duo - type 6 x 1/1 GN E/G on 6 x 2/1 GN G	60

## 2. Extractor hoods

2.1. UltraVent, UltraVent Plus	61
2.2. Exhaust hood	65

## 3. Stands and base cabinets

3.1. XS type 6 x 2/3 GN	66
3.2. Type 6 x 1/1 GN / 10 x 1/1 GN	67
3.3. Type 6 x 2/1 GN / 10 x 2/1 GN	70
3.4. Type 6 x 1/1 GN / 6 x 2/1 GN Combi-Duo	73

## 4. Transport trolley

4.1. Type 6 x 1/1 GN / 10 x 1/1 GN	75
4.2. Type 6 x 2/1 GN / 10 x 2/1 GN	76

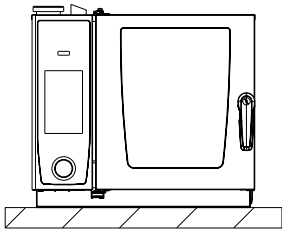
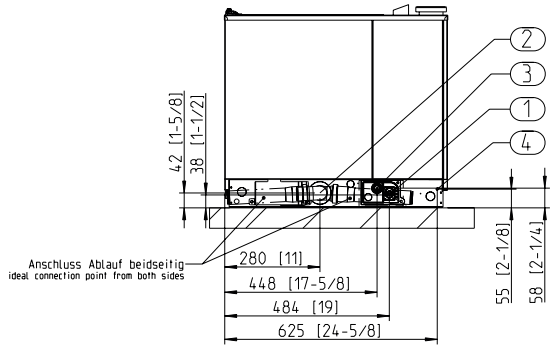
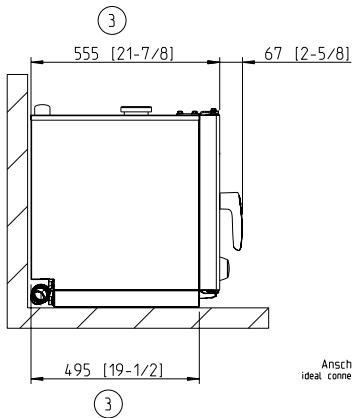
## 5. Mobile oven rack

5.1. Type 20 x 1/1 GN	77
5.2. Type 20 x 2/1 GN	78

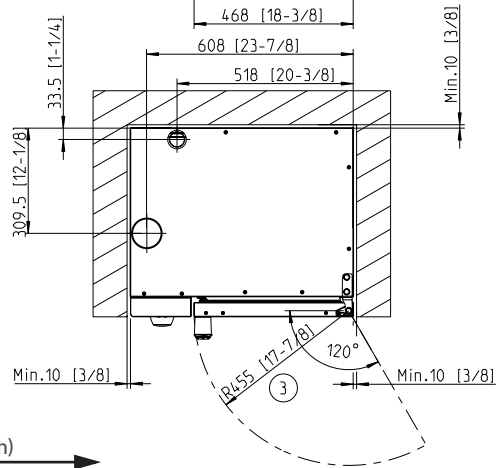
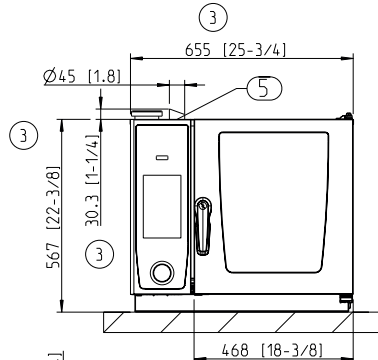


# 1.1. Connection diagram XS type 6 x 2/3 GN Electric

- 1 = Common water supply (cold water)
- 2 = Drain
- 3 = Electrical connection
- 6 = Equipotential bonding
- 5 = Vent pipe

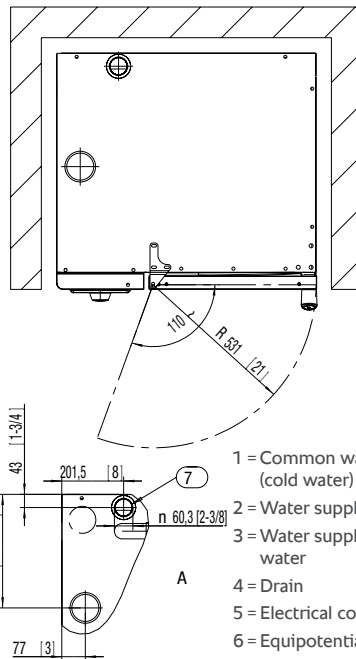
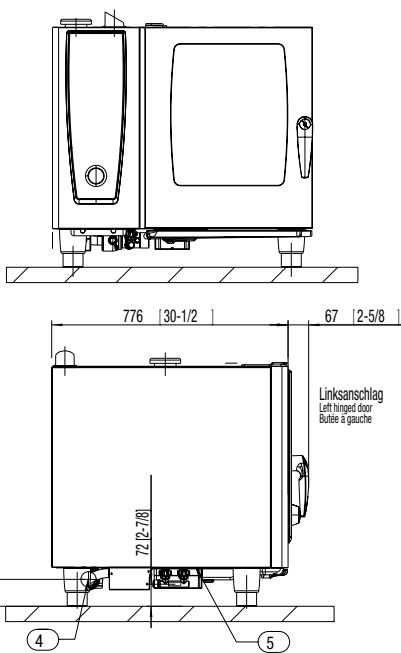
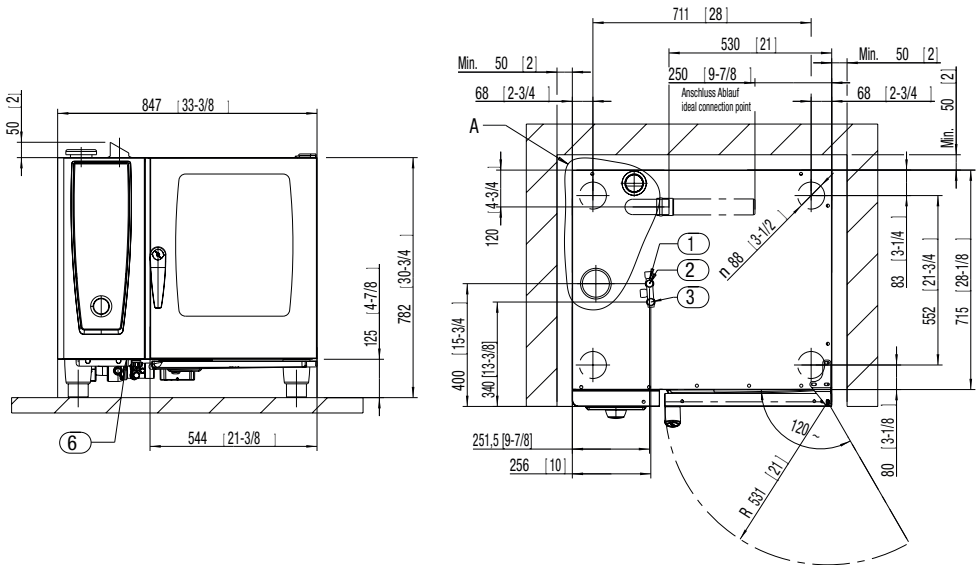


Linksanschlag  
Left hinged door  
Butele a gauche



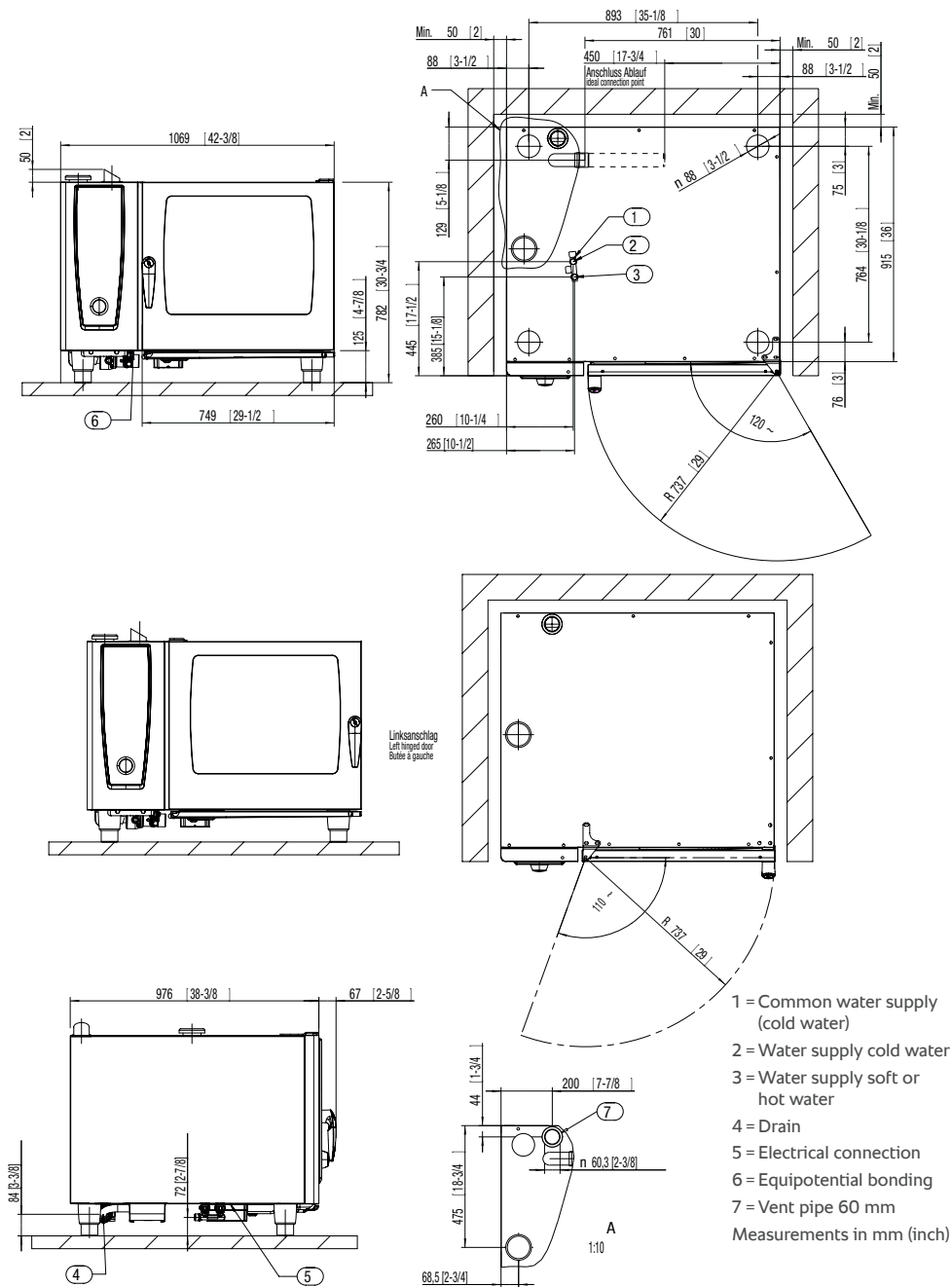
mm (inch)

# 1.1. Connection diagram 6 x 1/1 GN Electric

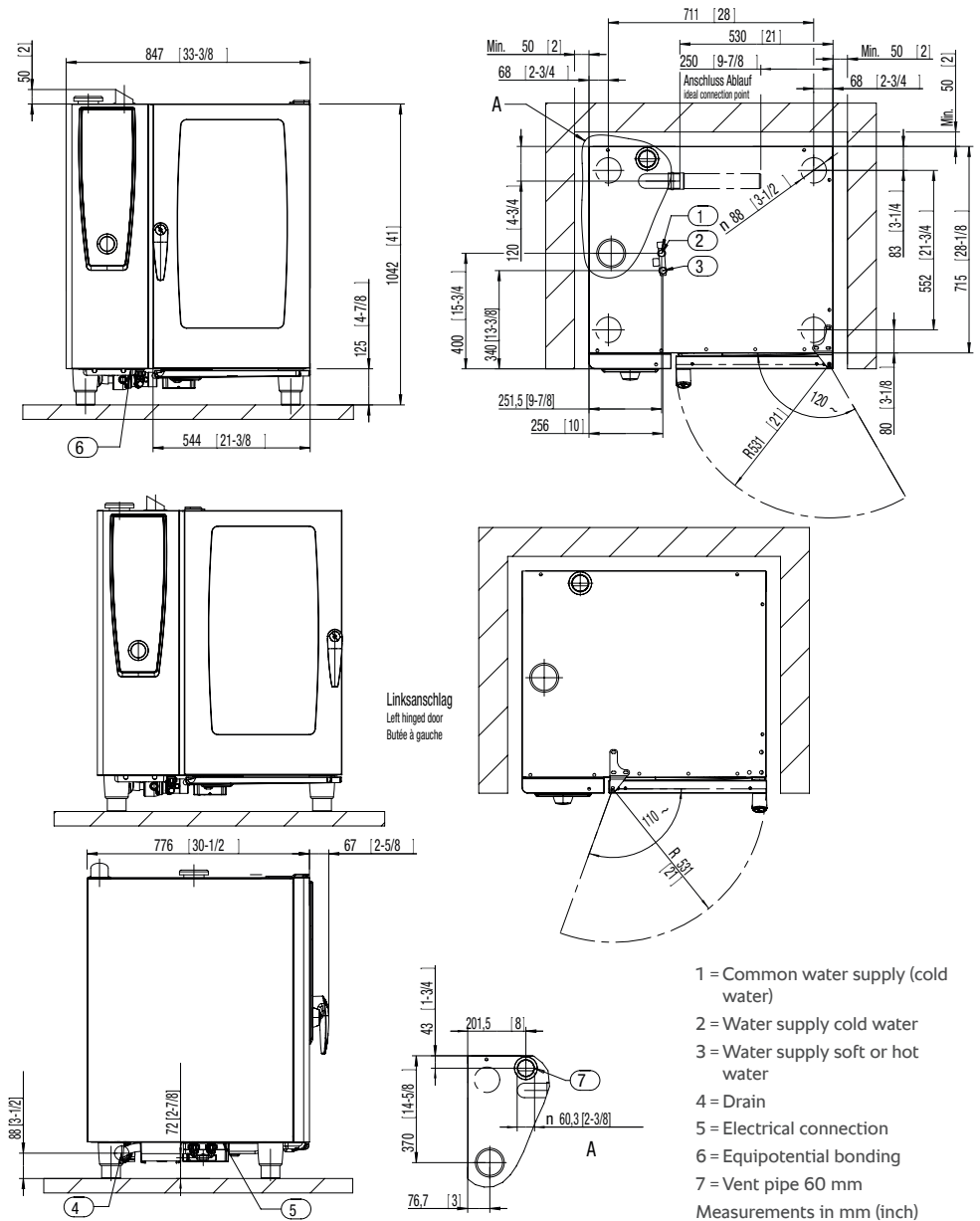


- 1 = Common water supply (cold water)
  - 2 = Water supply cold water
  - 3 = Water supply soft or hot water
  - 4 = Drain
  - 5 = Electrical connection
  - 6 = Equipotential bonding
  - 7 = Vent pipe 60 mm
- Measurements in mm (inch)

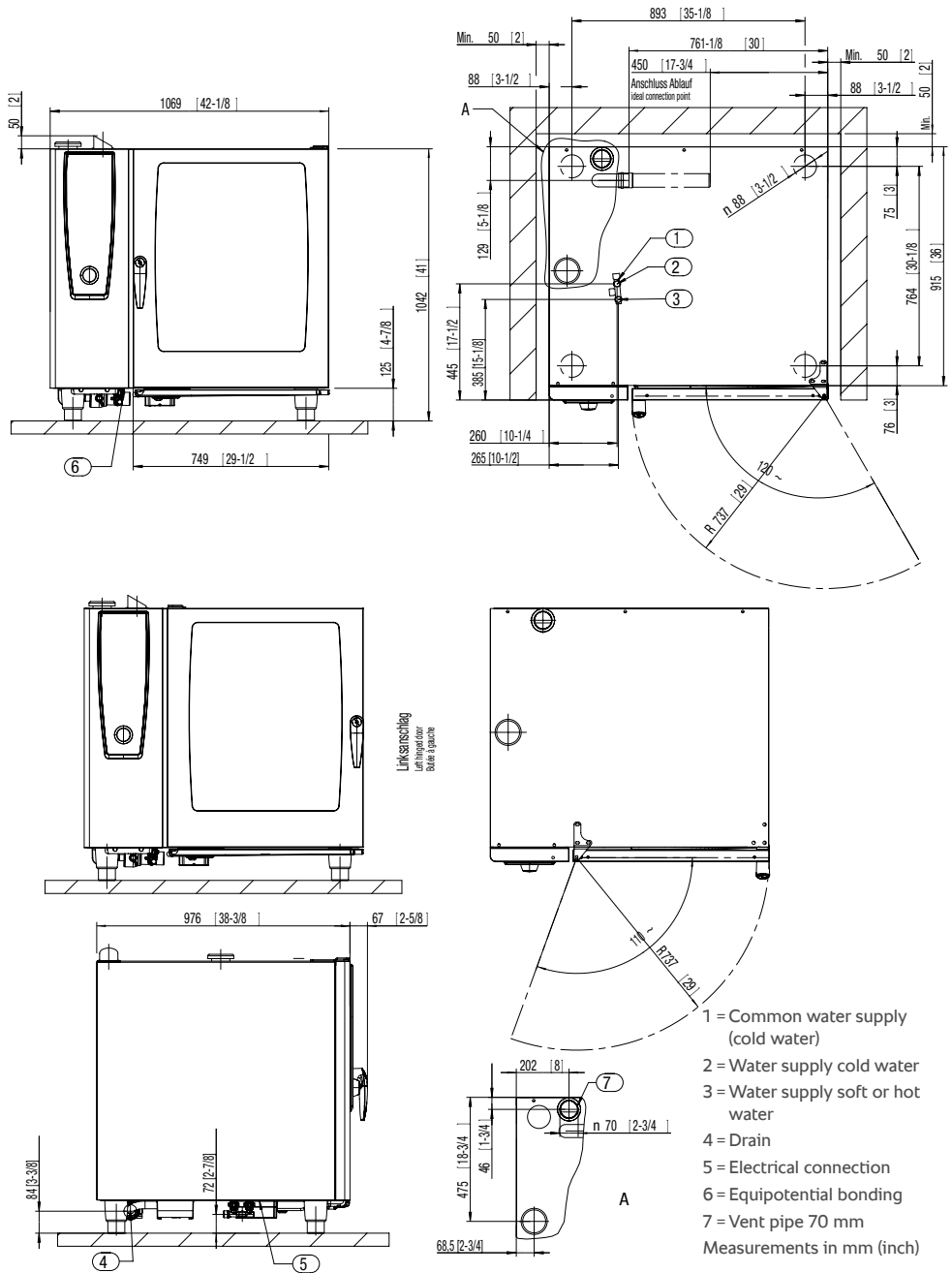
# 1.1. Connection diagram 6 x 2/1 GN Electric



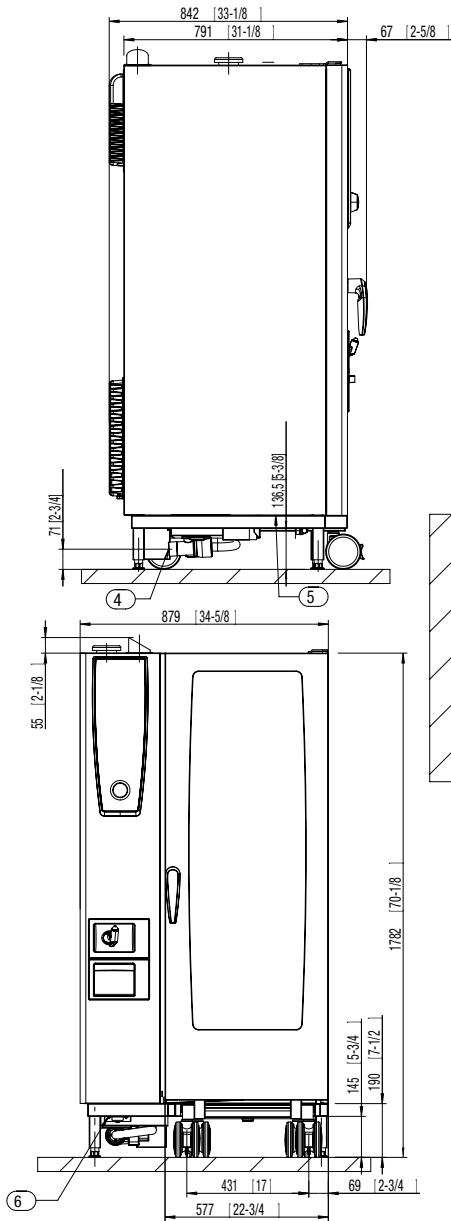
# 1.1. Connection diagram 10 x 1/1 GN Electric



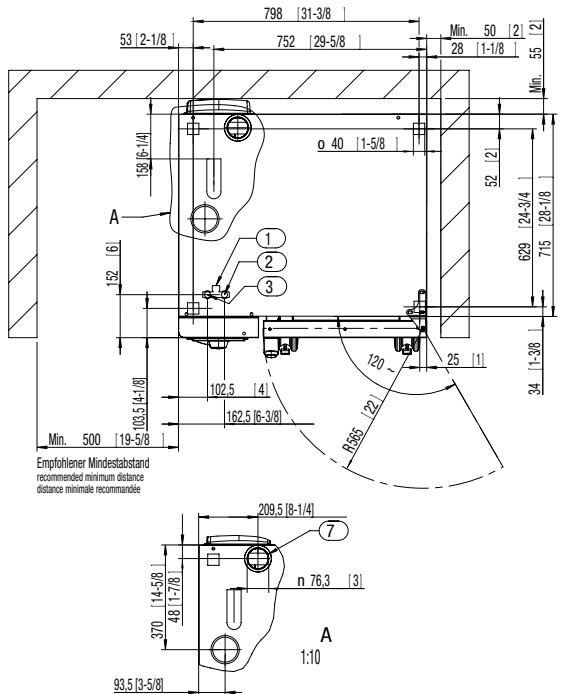
# 1.1. Connection diagram 10 x 2/1 GN Electric



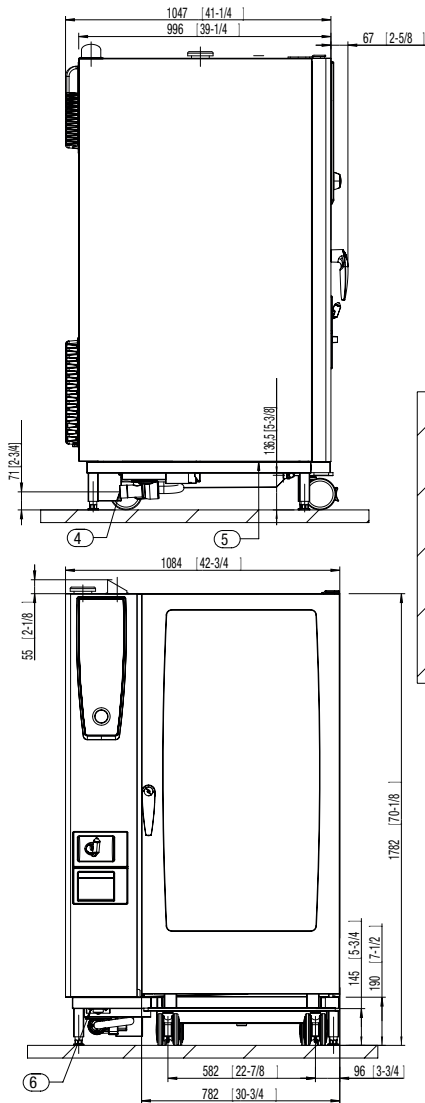
# 1.1. Connection diagram 20 x 1/1 GN Electric



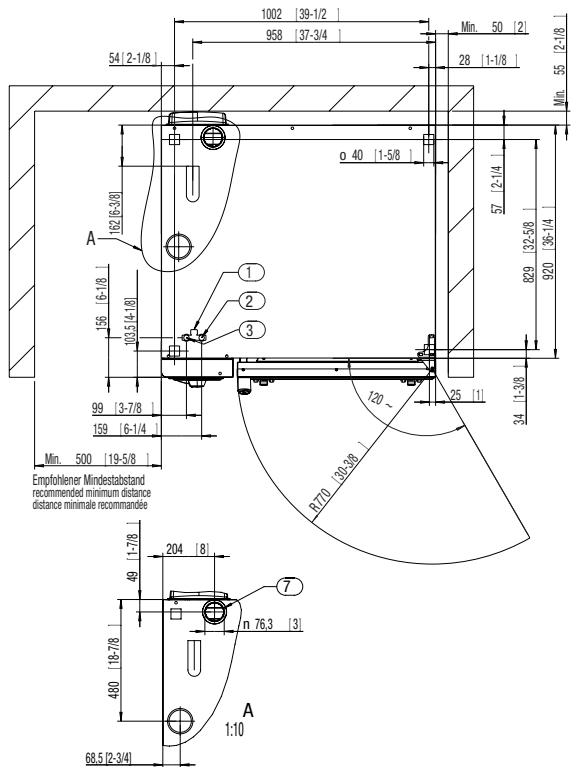
- 1 = Common water supply (cold water)
  - 2 = Water supply cold water
  - 3 = Water supply soft or hot water
  - 4 = Drain
  - 5 = Electrical connection
  - 6 = Equipotential bonding
  - 7 = Vent pipe 78 mm
- Measurements in mm (inch)



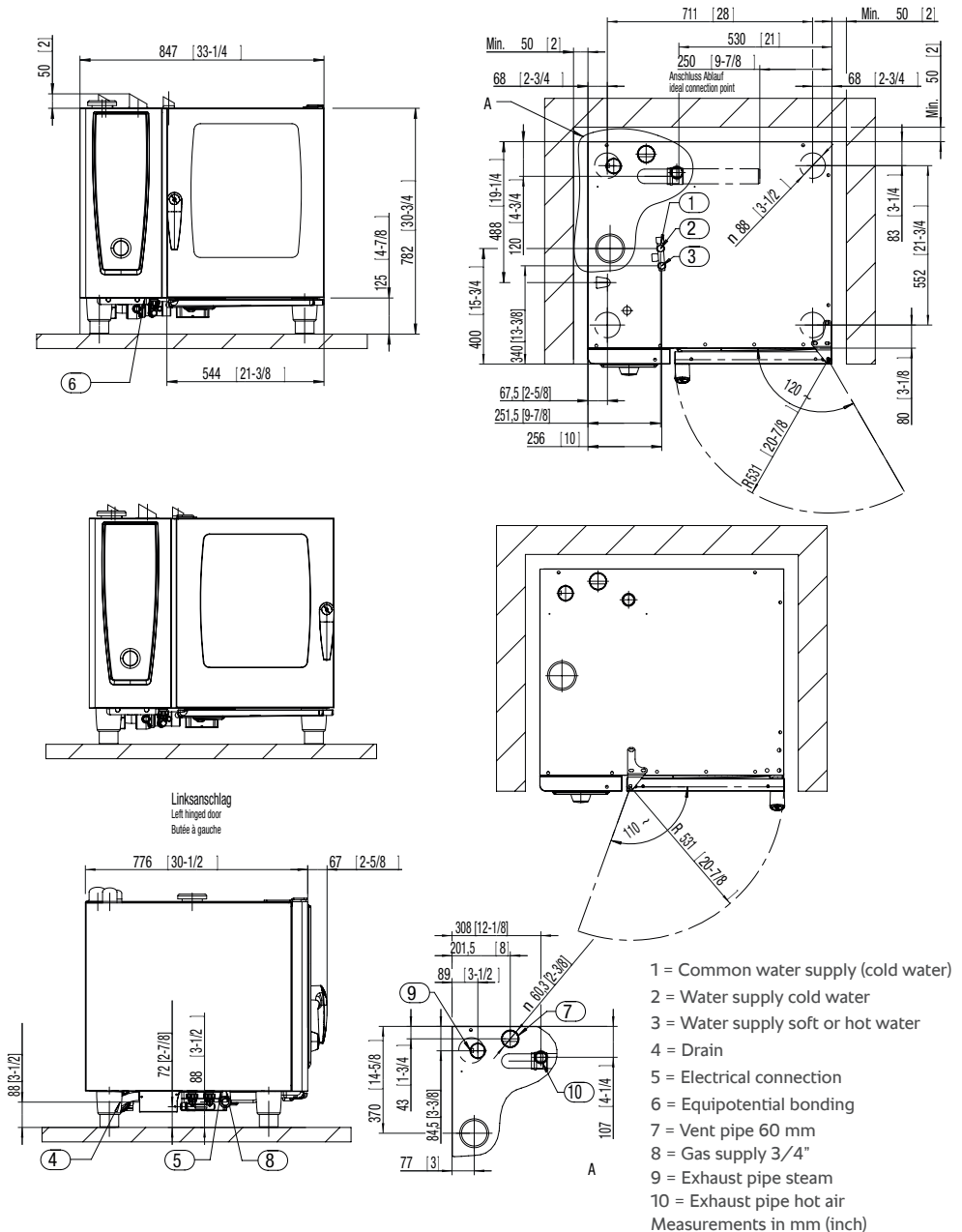
# 1.1. Connection diagram 20 x 2/1 GN Electric



- 1 = Common water supply (cold water)
  - 2 = Water supply cold water
  - 3 = Water supply soft or hot water
  - 4 = Drain
  - 5 = Electrical connection
  - 6 = Equipotential bonding
  - 7 = Vent pipe 78 mm
- Measurements in mm (inch)

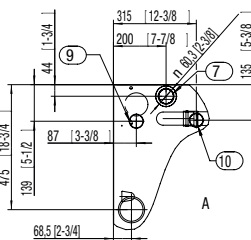
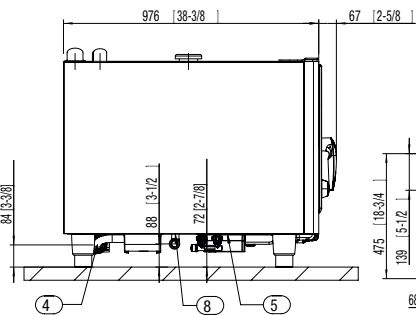
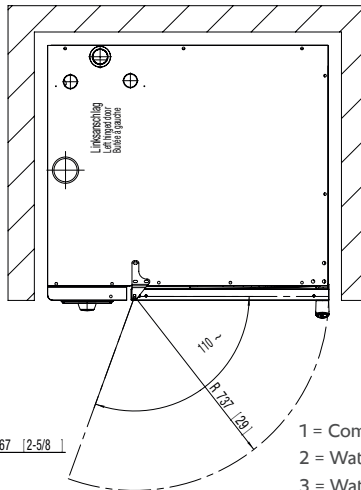
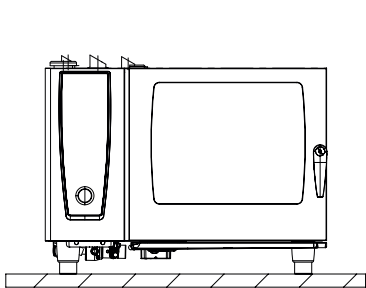
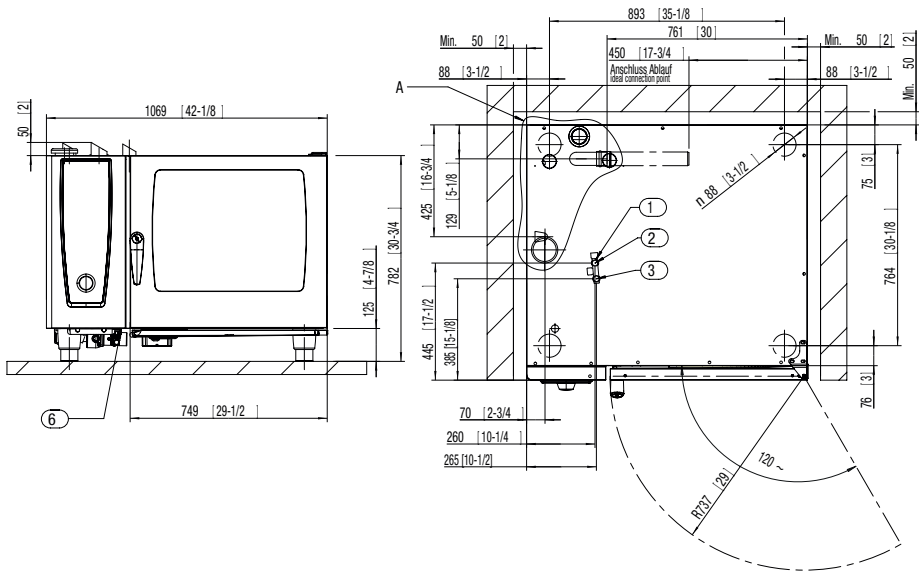


## 1.2. Connection diagram 6 x 1/1 GN Gas



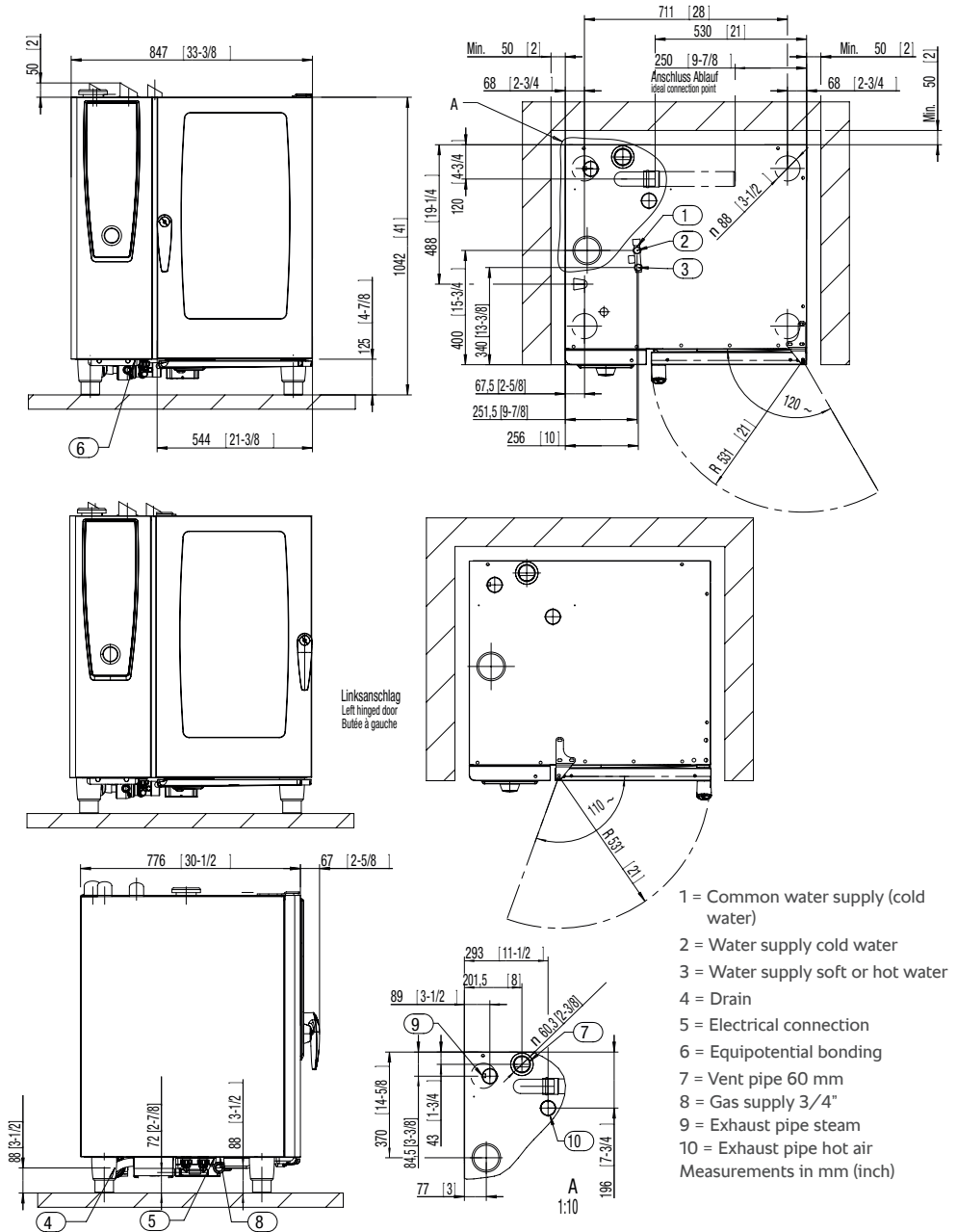


## 1.2. Connection diagram 6 x 2/1 GN Gas

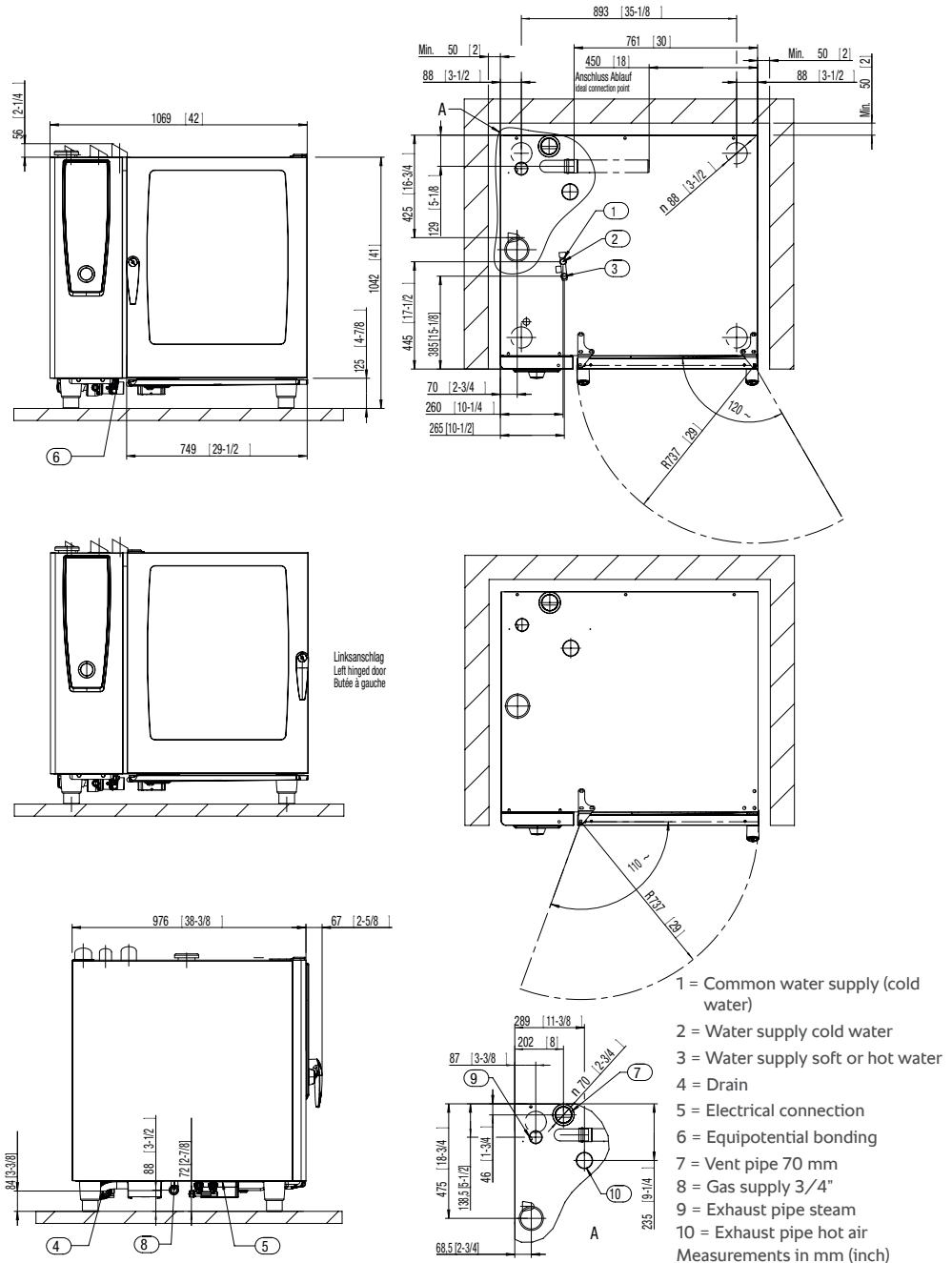


- 1 = Common water supply (cold water)
  - 2 = Water supply cold water
  - 3 = Water supply soft or hot water
  - 4 = Drain
  - 5 = Electrical connection
  - 6 = Equipotential bonding
  - 7 = Vent pipe 60 mm
  - 8 = Gas supply 3/4"
  - 9 = Exhaust pipe steam
  - 10 = Exhaust pipe hot air
- Measurements in mm (inch)

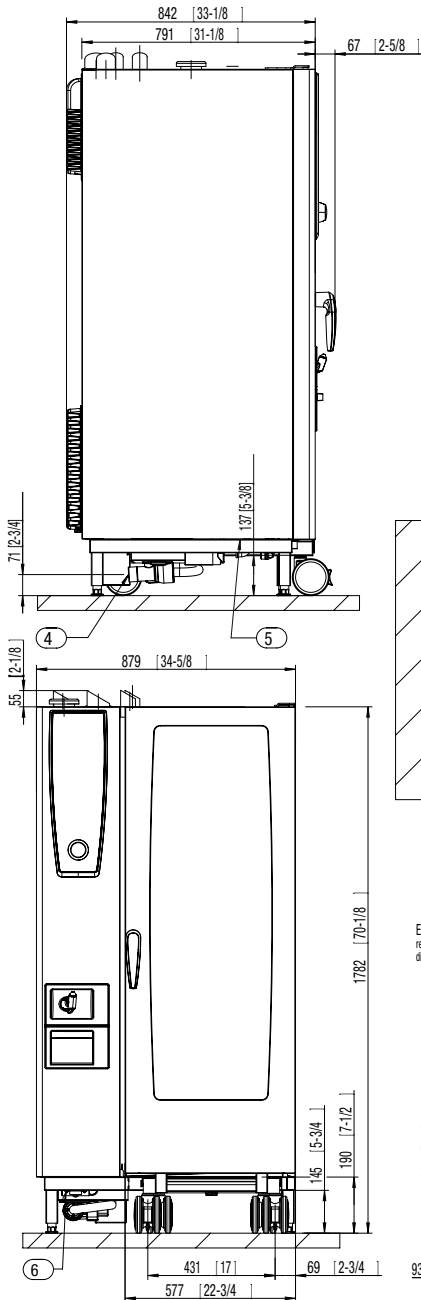
## 1.2. Connection diagram 10 x 1/1 GN Gas



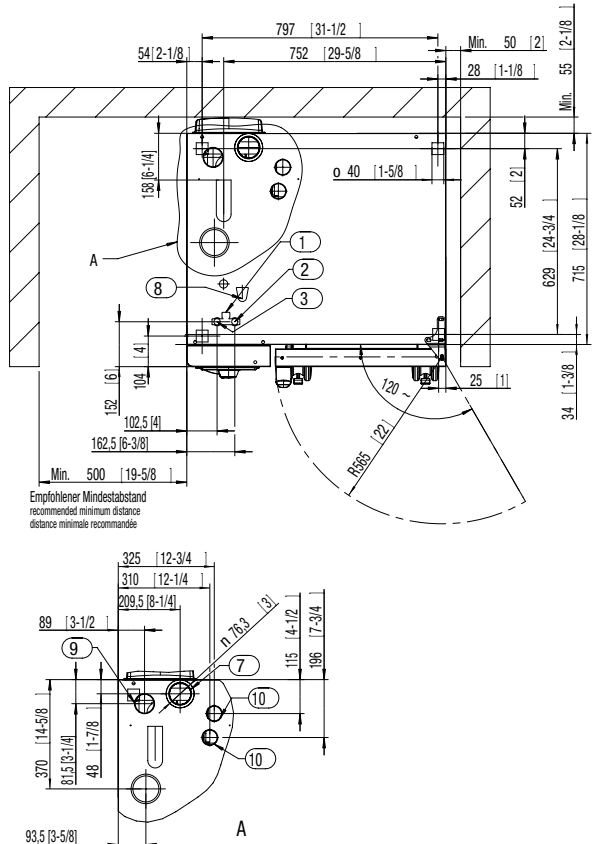
## 1.2. Connection diagram 10 x 2/1 GN Gas



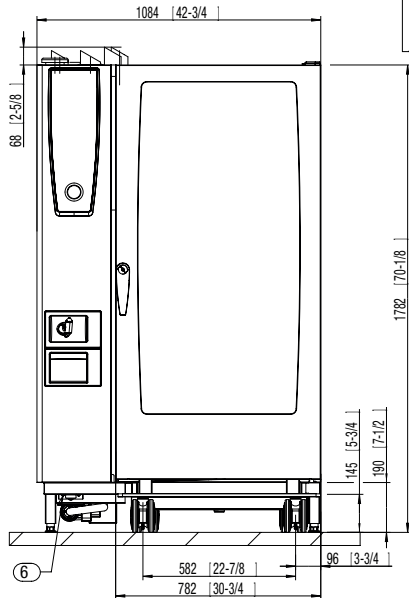
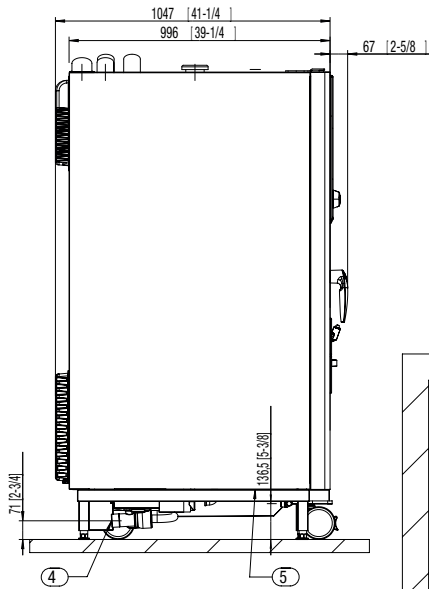
## 1.2. Connection diagram 20 x 1/1 GN Gas



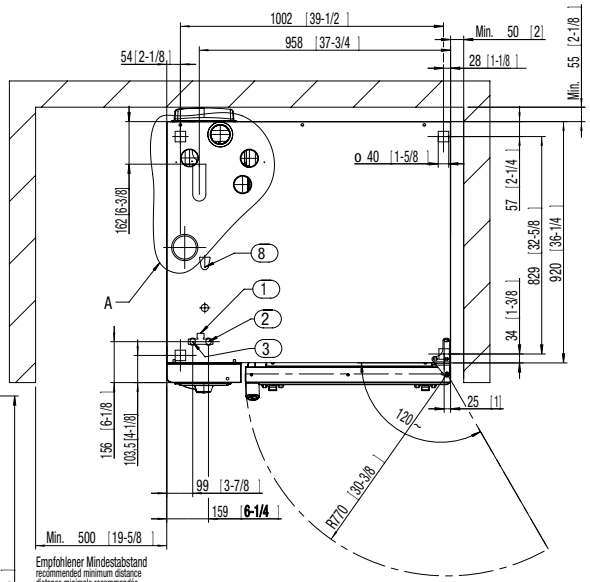
- 1 = Common water supply (cold water)
  - 2 = Water supply cold water
  - 3 = Water supply soft or hot water
  - 4 = Drain
  - 5 = Electrical connection
  - 6 = Equipotential bonding
  - 7 = Vent pipe 78 mm
  - 8 = Gas supply 3/4"
  - 9 = Exhaust pipe steam
  - 10/11 = Exhaust pipe hot air
- Measurements in mm (inch)



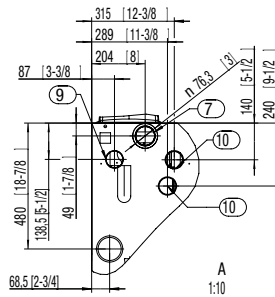
## 1.2. Connection diagram 20 x 2/1 GN Gas



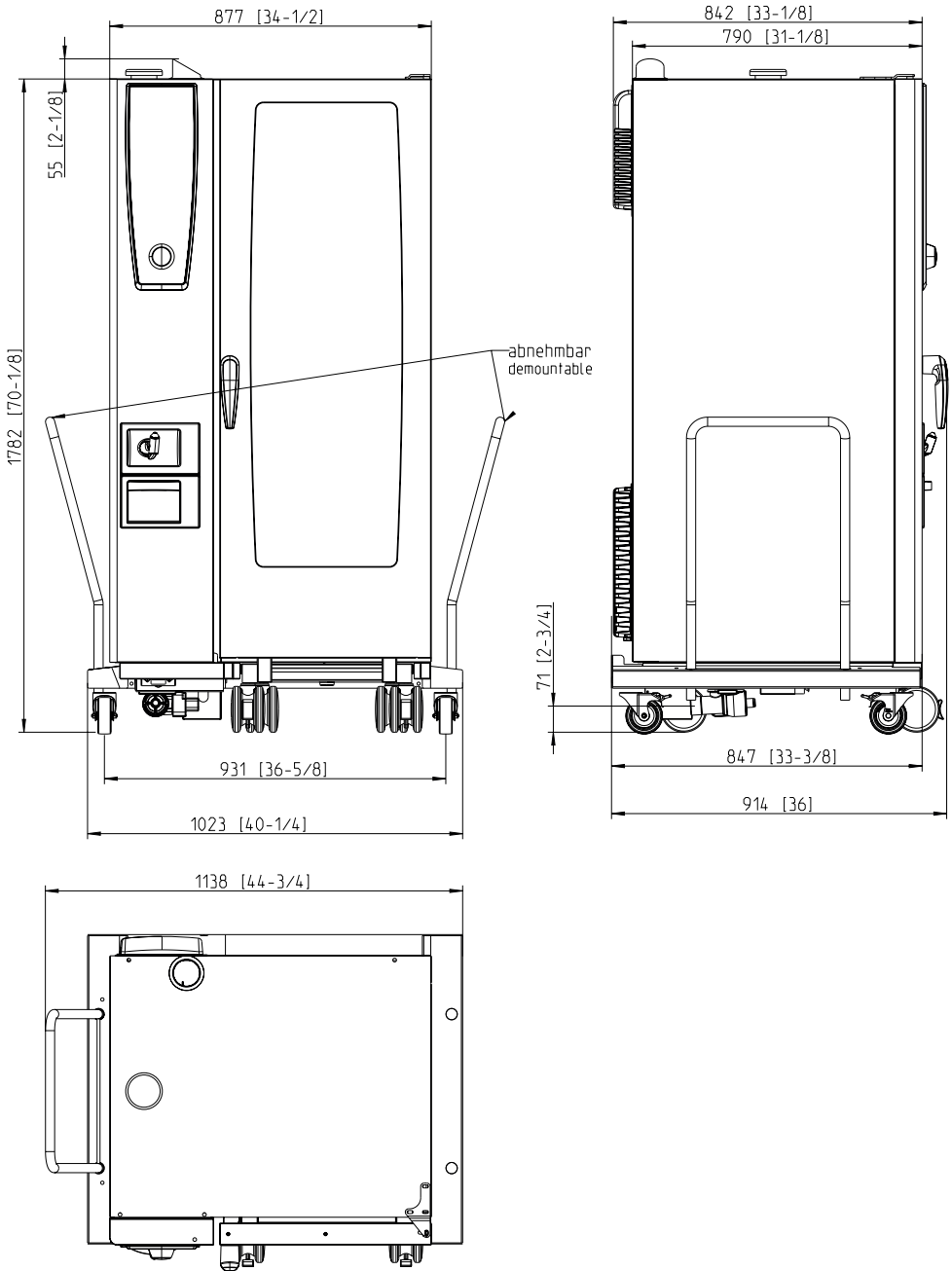
- 1 = Common water supply (cold water)
  - 2 = Water supply cold water
  - 3 = Water supply soft or hot water, 4 = Drain
  - 5 = Electrical connection, 6 = Equipotential bonding
  - 7 = Vent pipe 78 mm
  - 8 = Gas supply 3/4", 9 = Exhaust pipe steam
  - 10/11 = Exhaust pipe hot air
- Measurements in mm (inch)



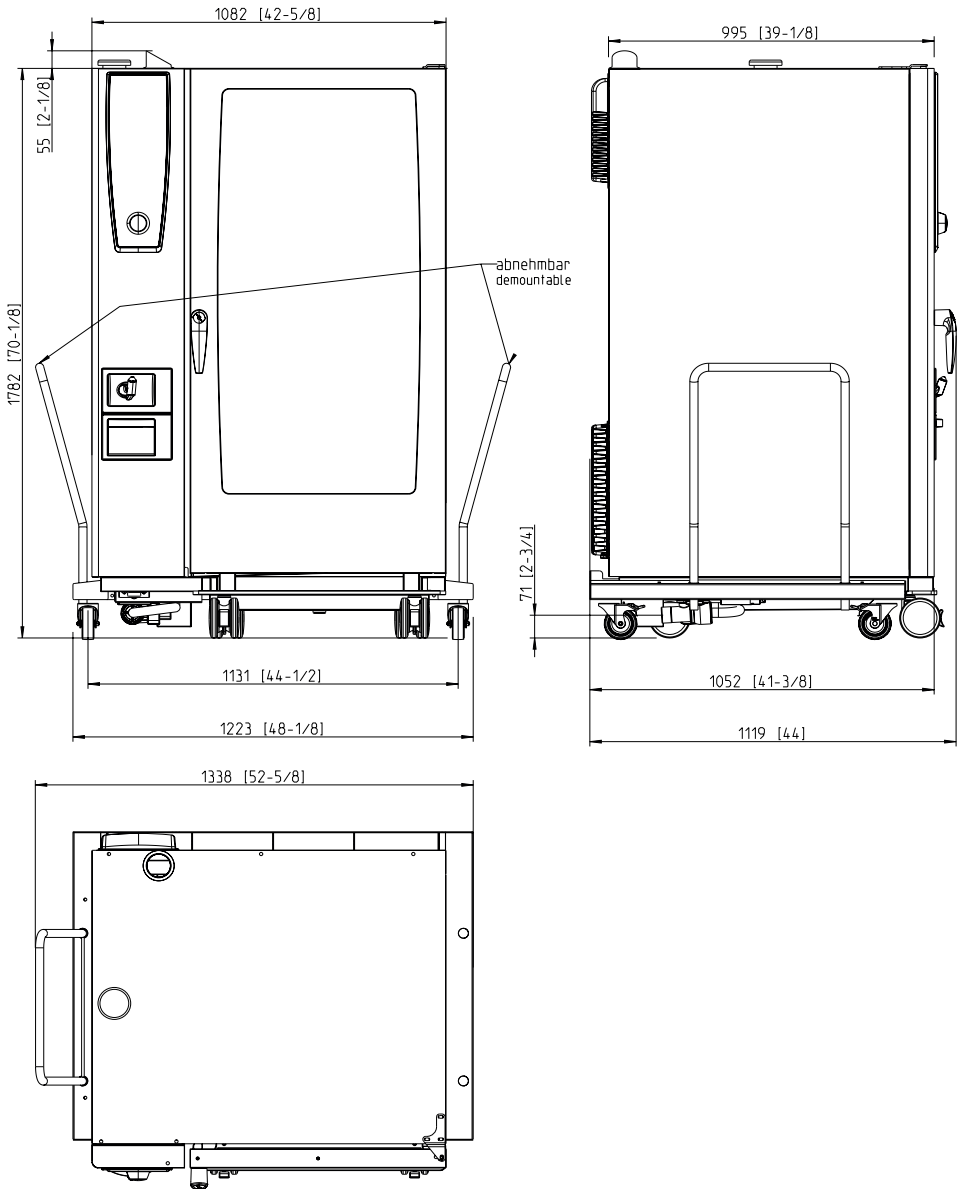
Empfohlener Mindestabstand  
recommended minimum distance  
distance minimale recommandée



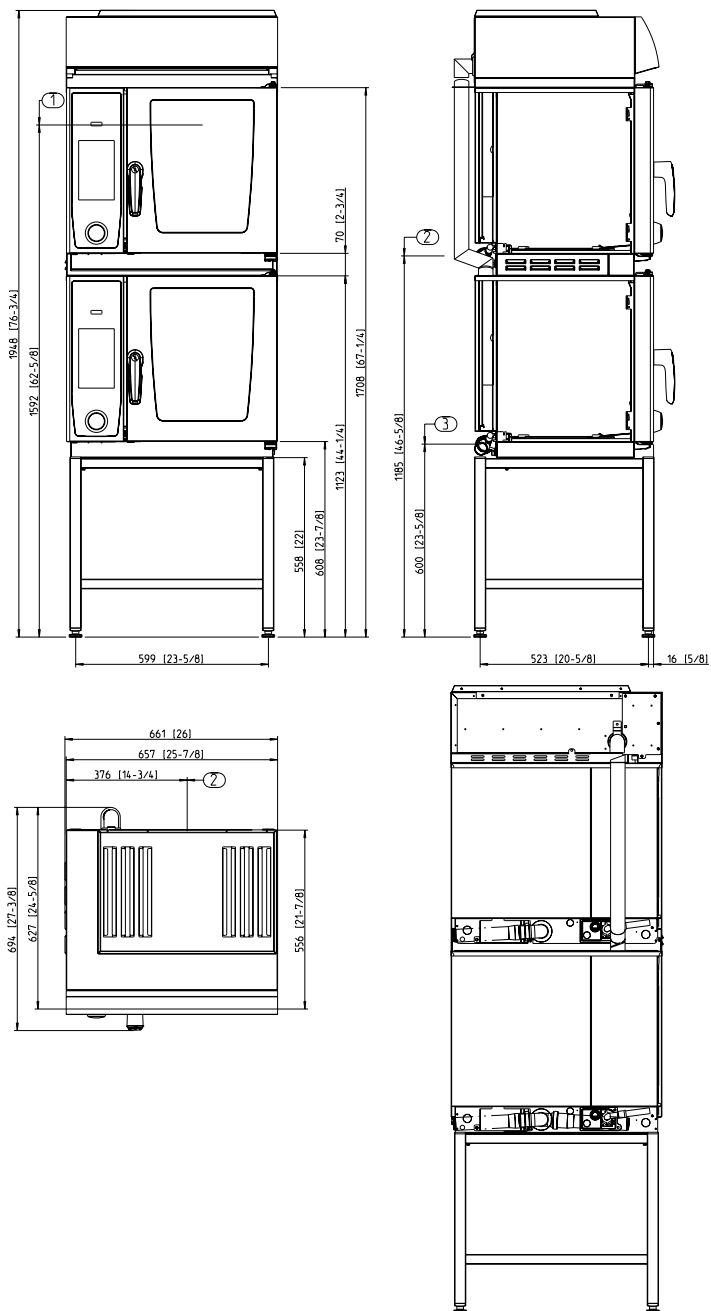
### 1.3. Mobile floor unit 20 x 1/1 GN



### 1.3. Mobile floor unit 20 x 2/1 GN

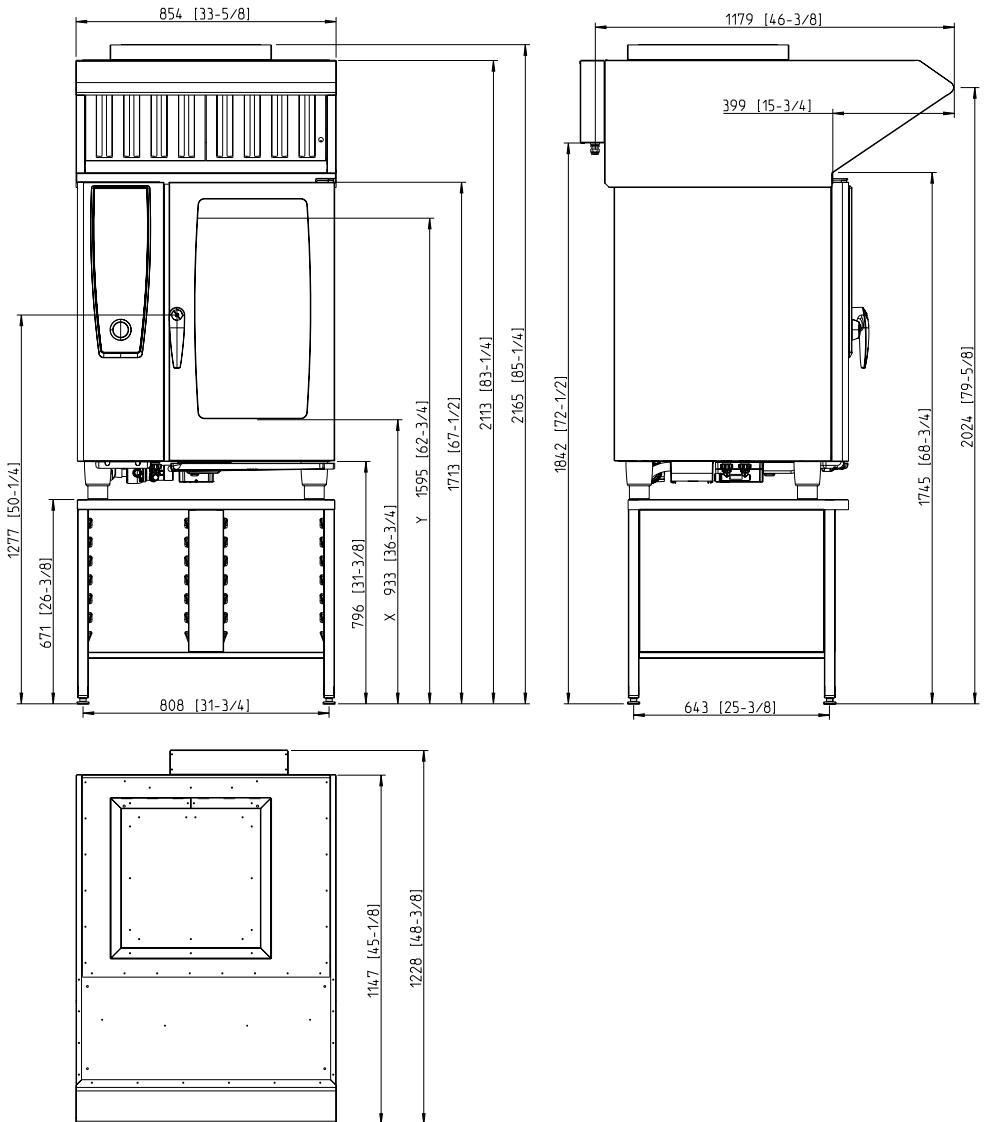


# 1.4. XS type 6 x 2/3 GN on 6 x 2/3 GN with UltraVent XS and Stand

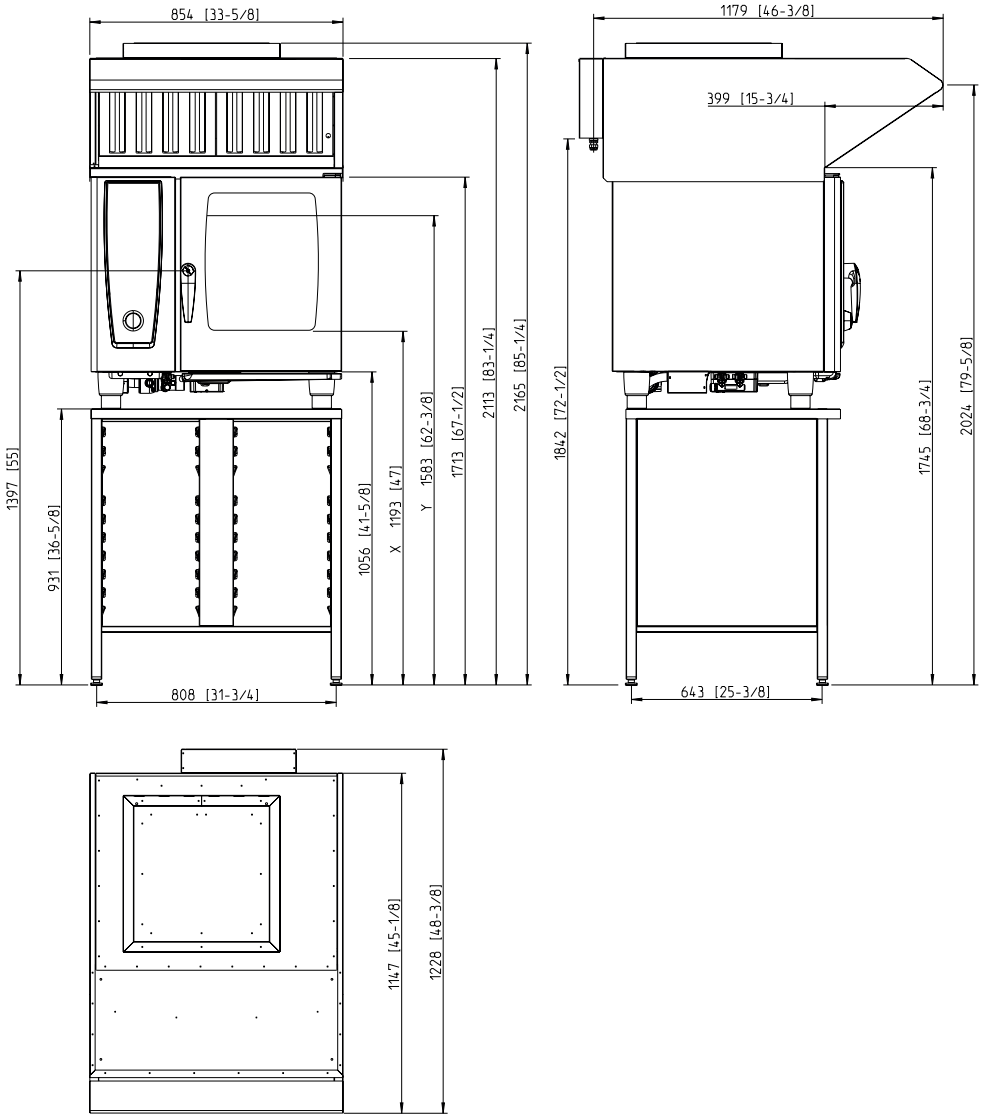




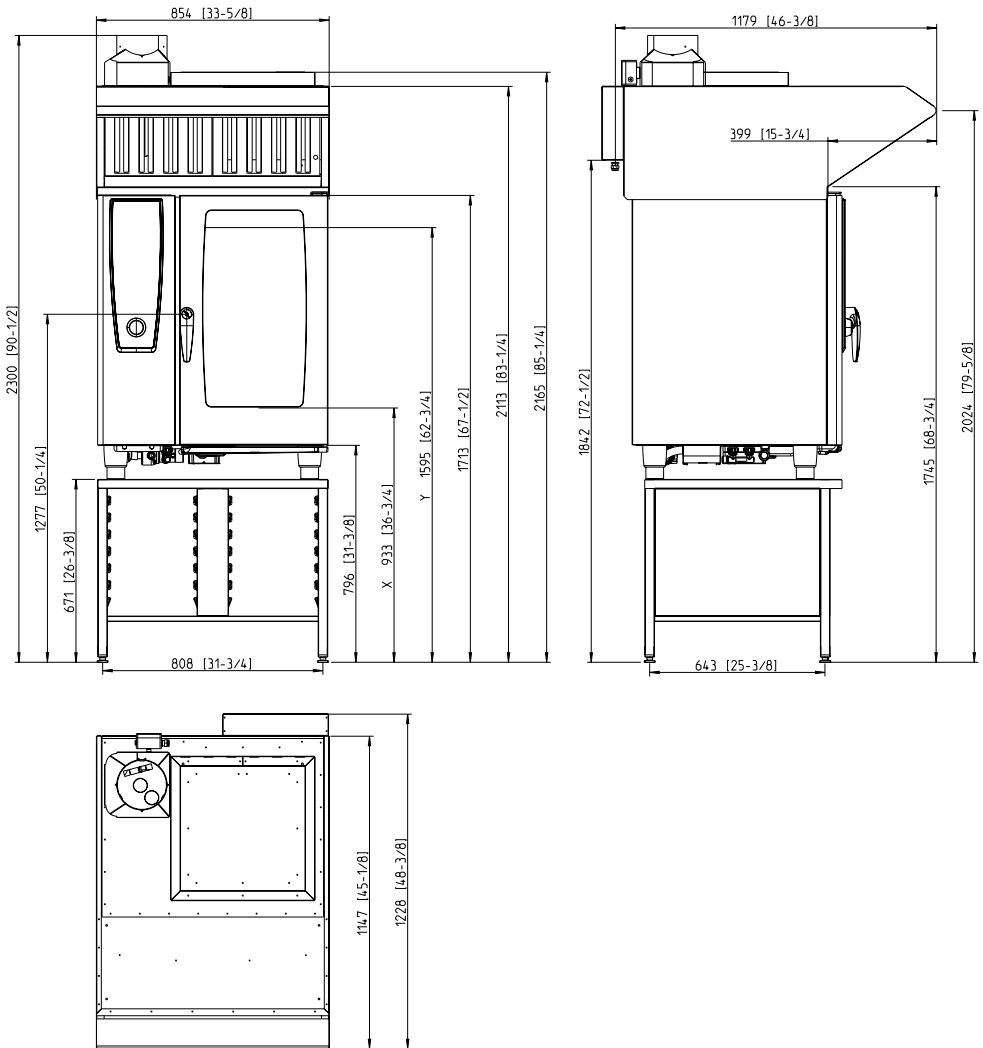
## 1.4. Type 10 x 1/1 GN Electric with UltraVent on UG II



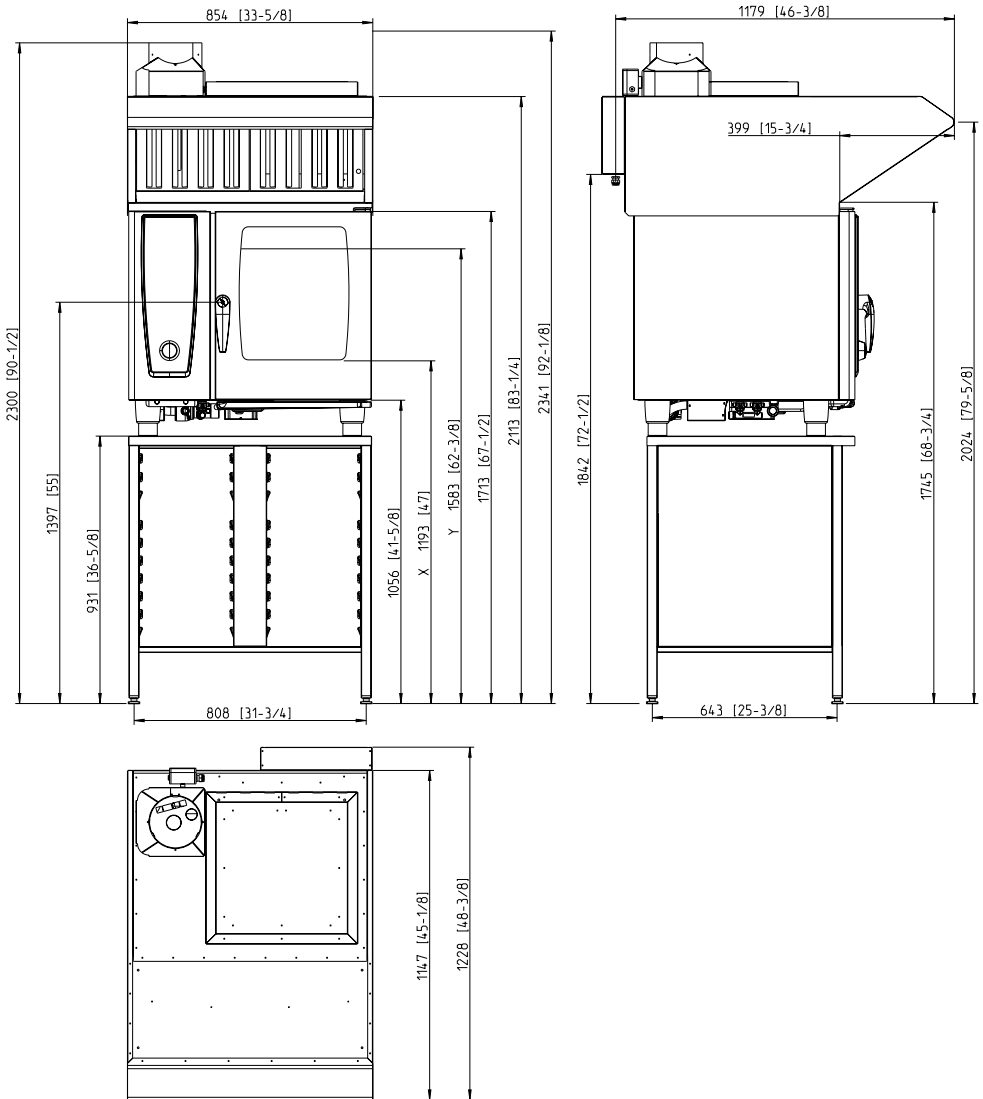
# 1.4. Type 6 x 1/1 GN Electric with UltraVent on US III Version UltraVent



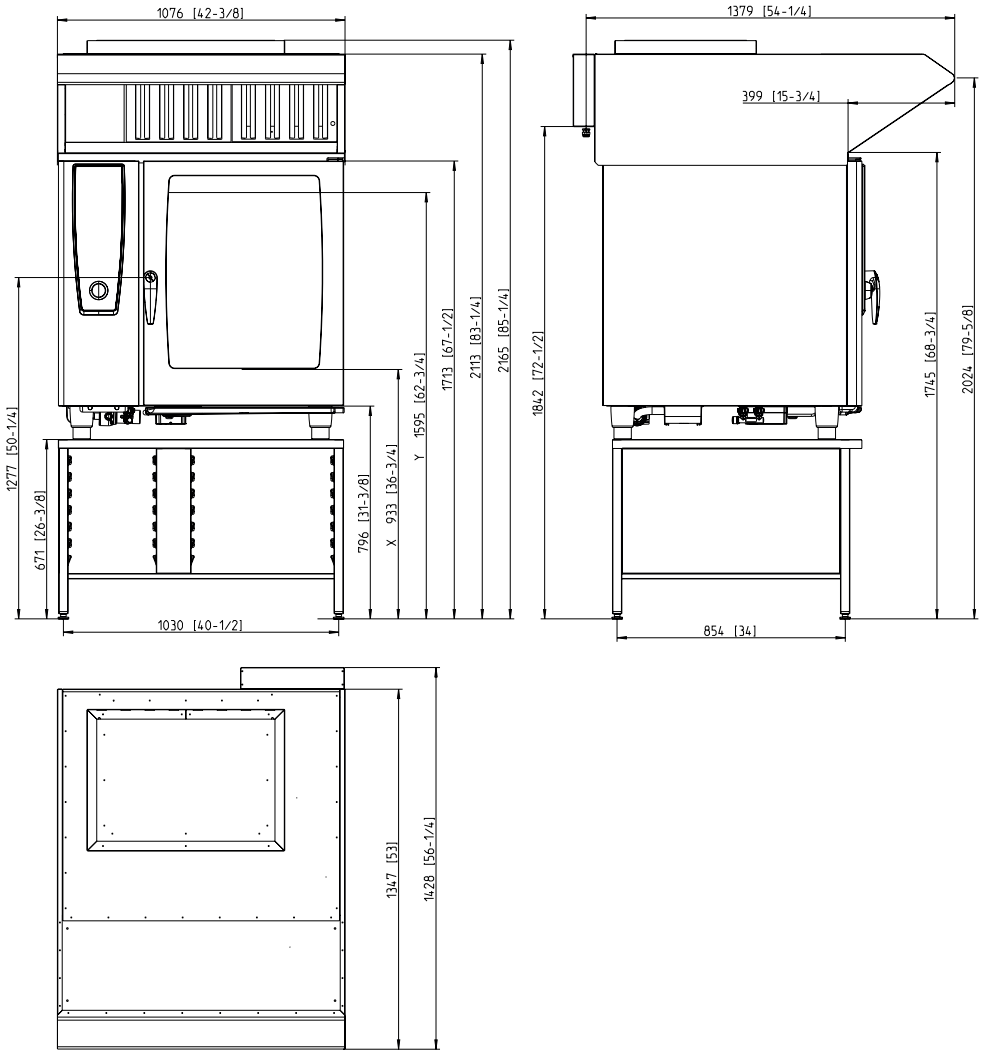
## 1.4. Type 10 x 1/1 GN Gas with UltraVent on UG II



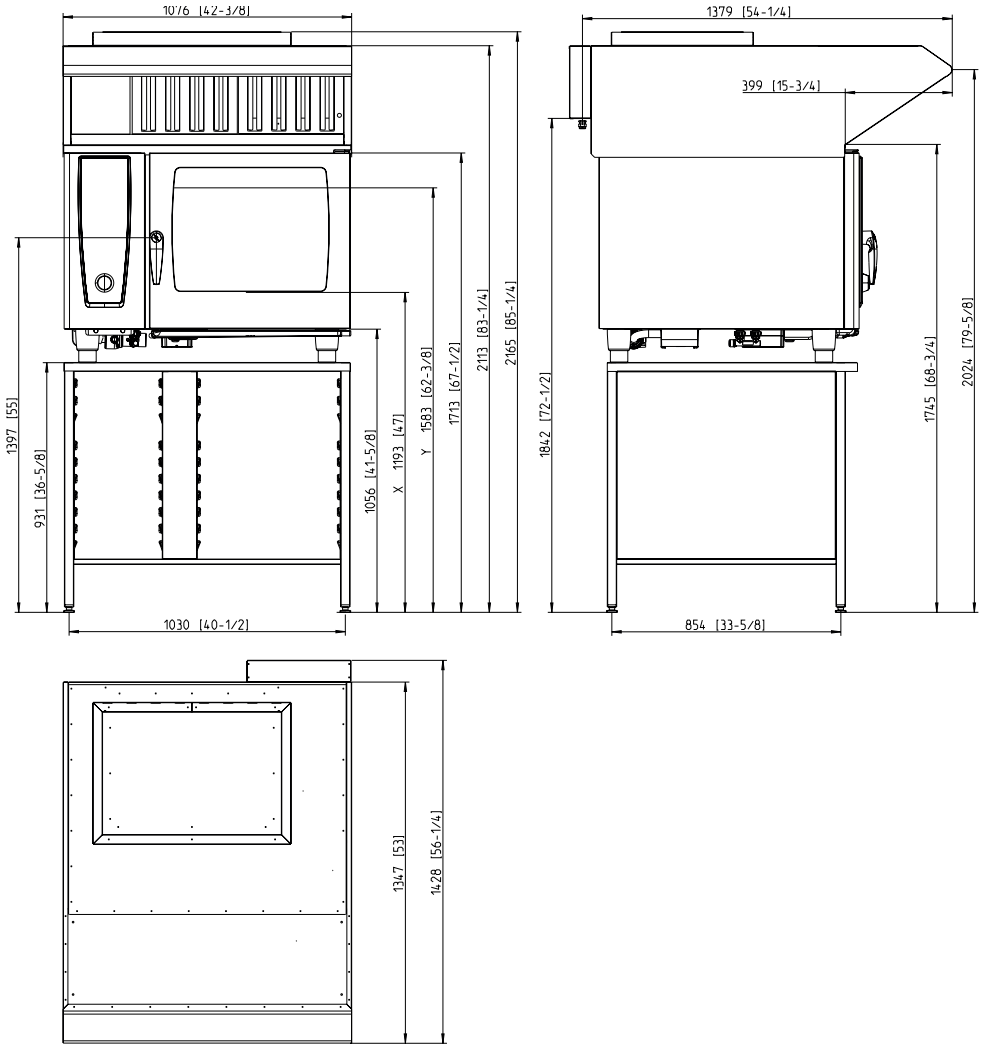
# 1.4. Type 6 x 1/1 GN Gas with UltraVent on US III version UltraVent



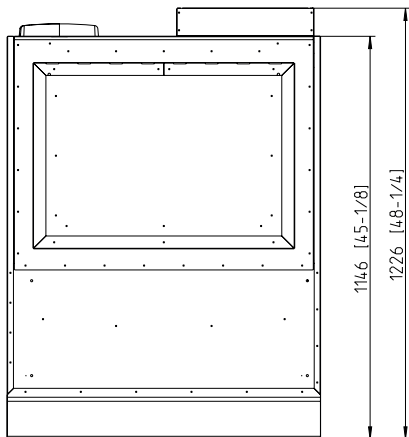
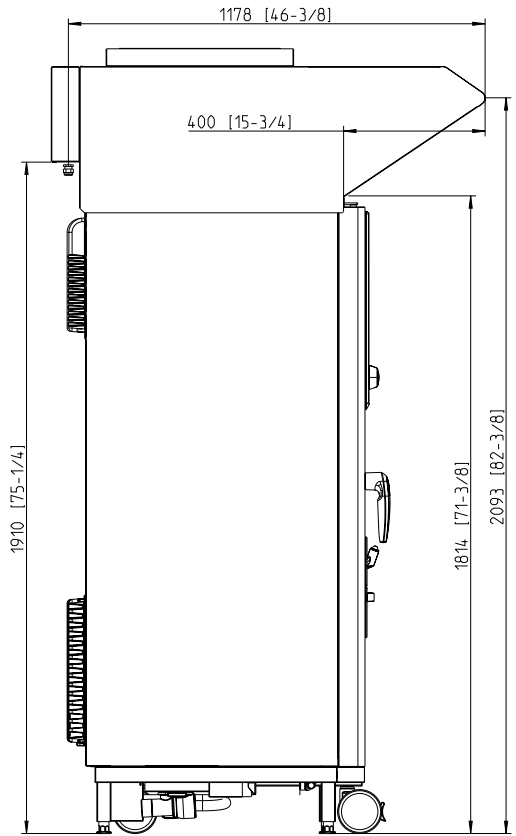
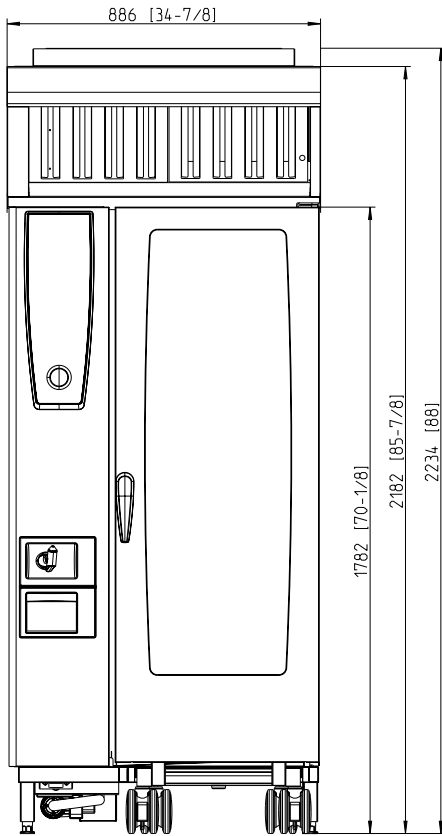
# 1.4. Type 10 x 2/1 GN Electric with UltraVent on UG II



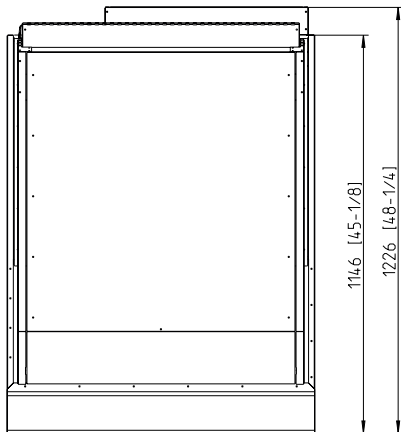
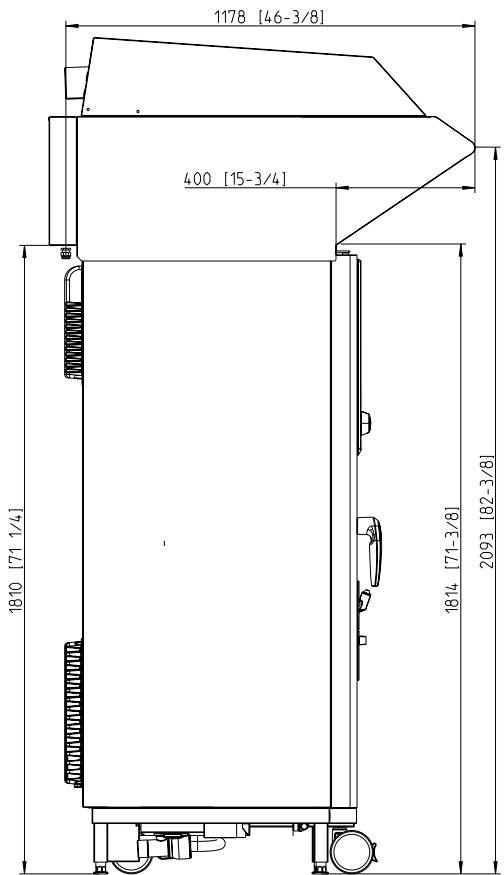
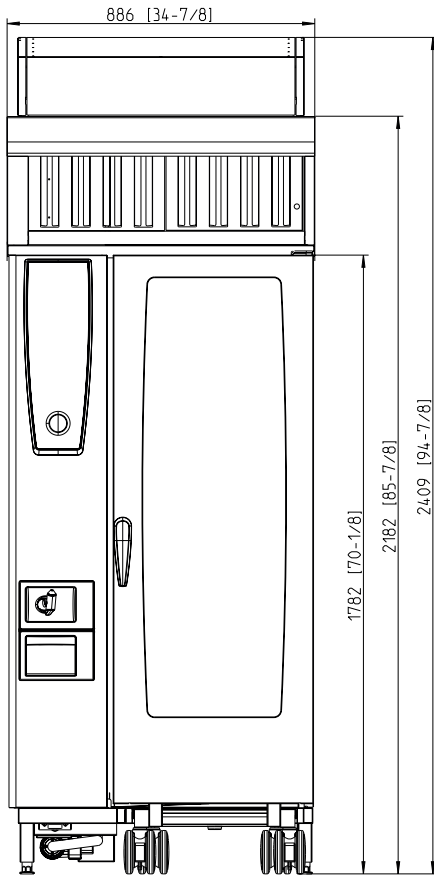
# 1.4. Type 6 x 2/1 GN Electric with UltraVent on US III version UltraVent



## 1.4. Type 20 x 1/1 GN Electric with UltraVent

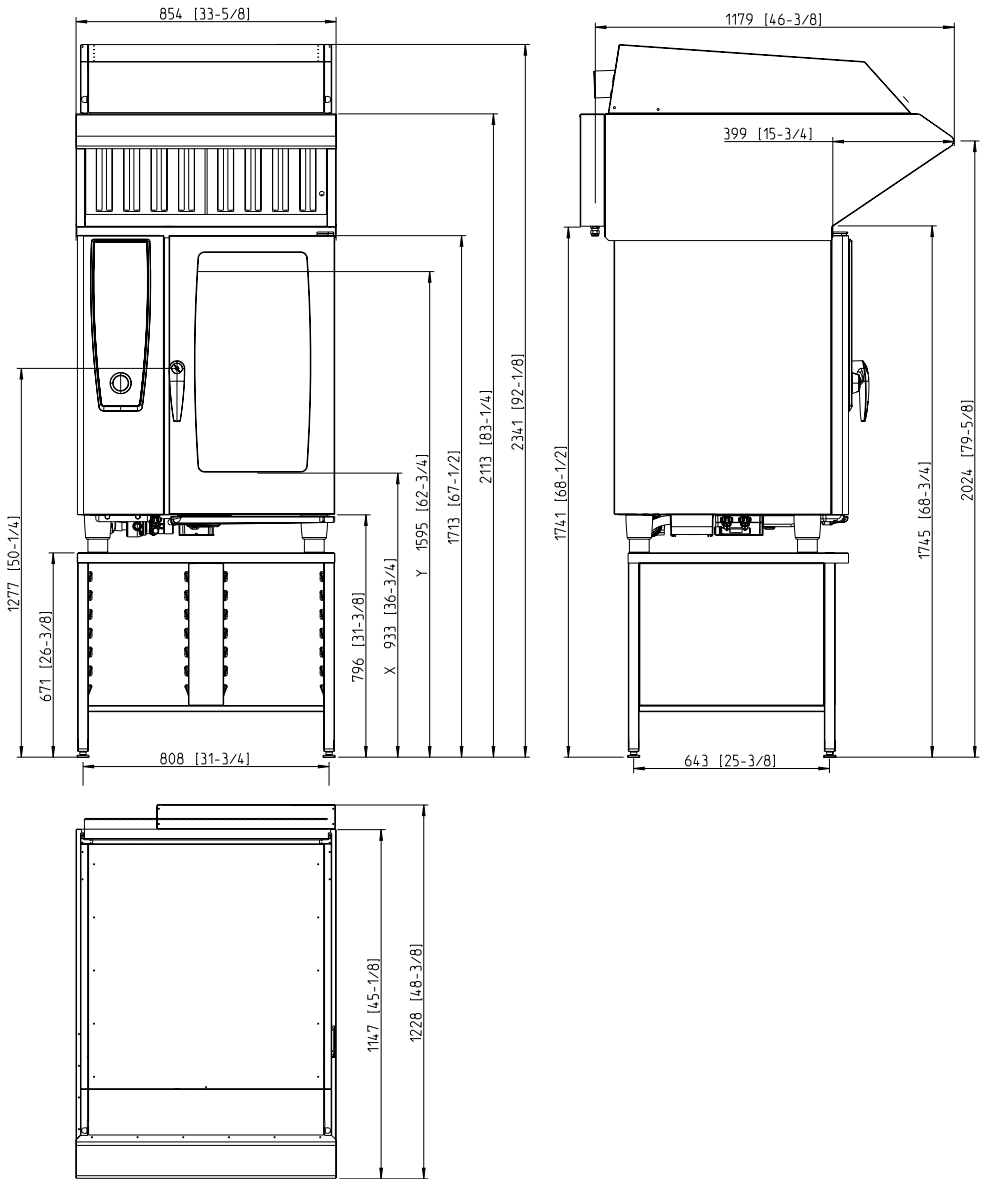


## 1.4. Type 20 x 1/1 GN Electric with UltraVent Plus

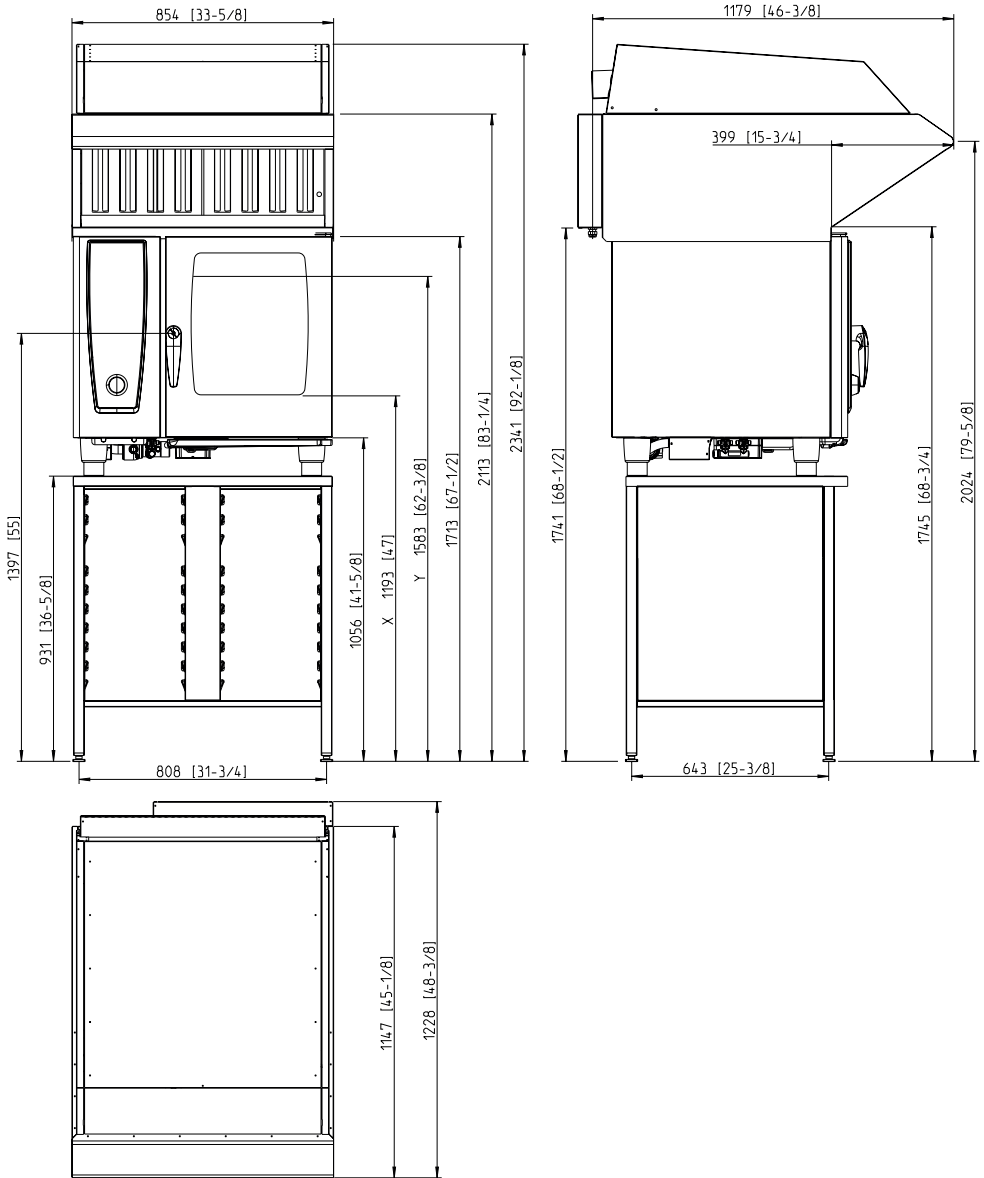




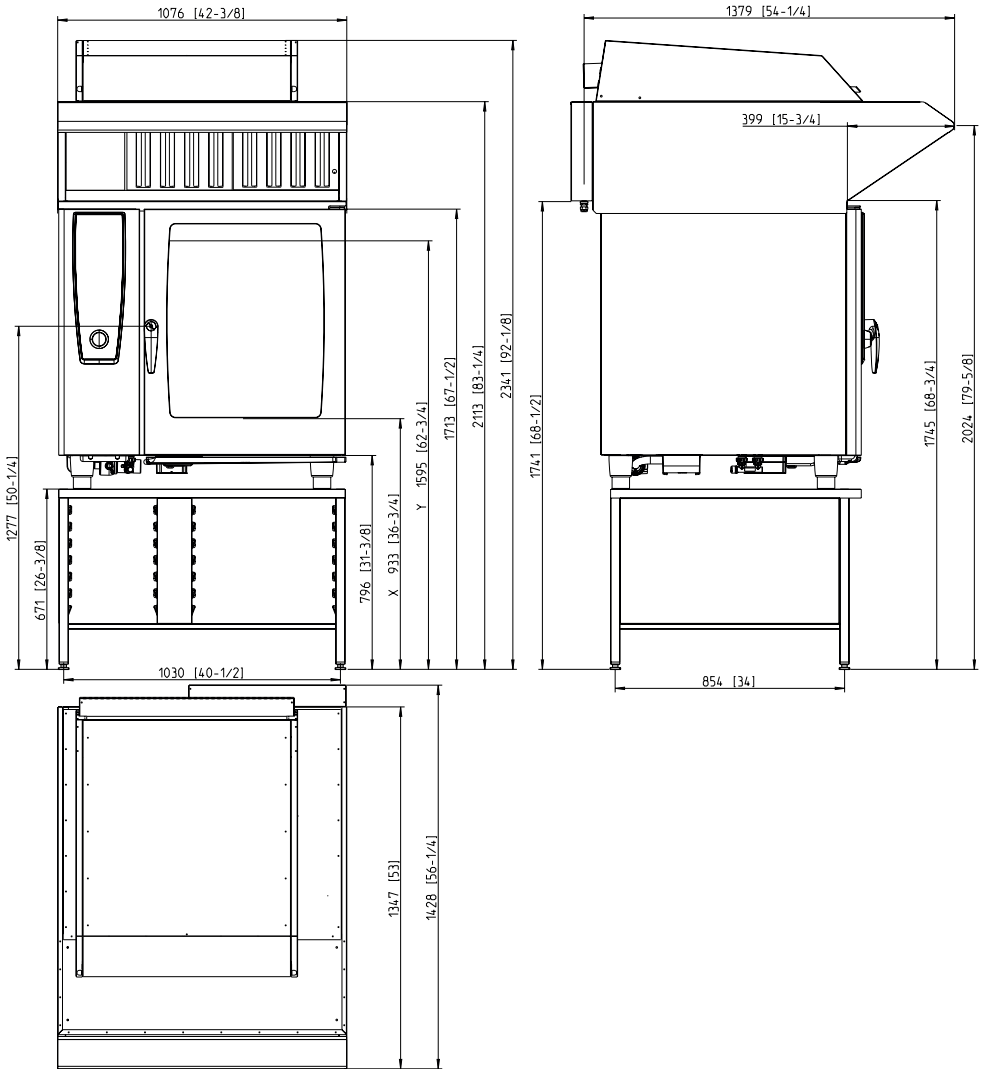
## 1.4. Type 10 x 1/1 GN Electric with UltraVent Plus



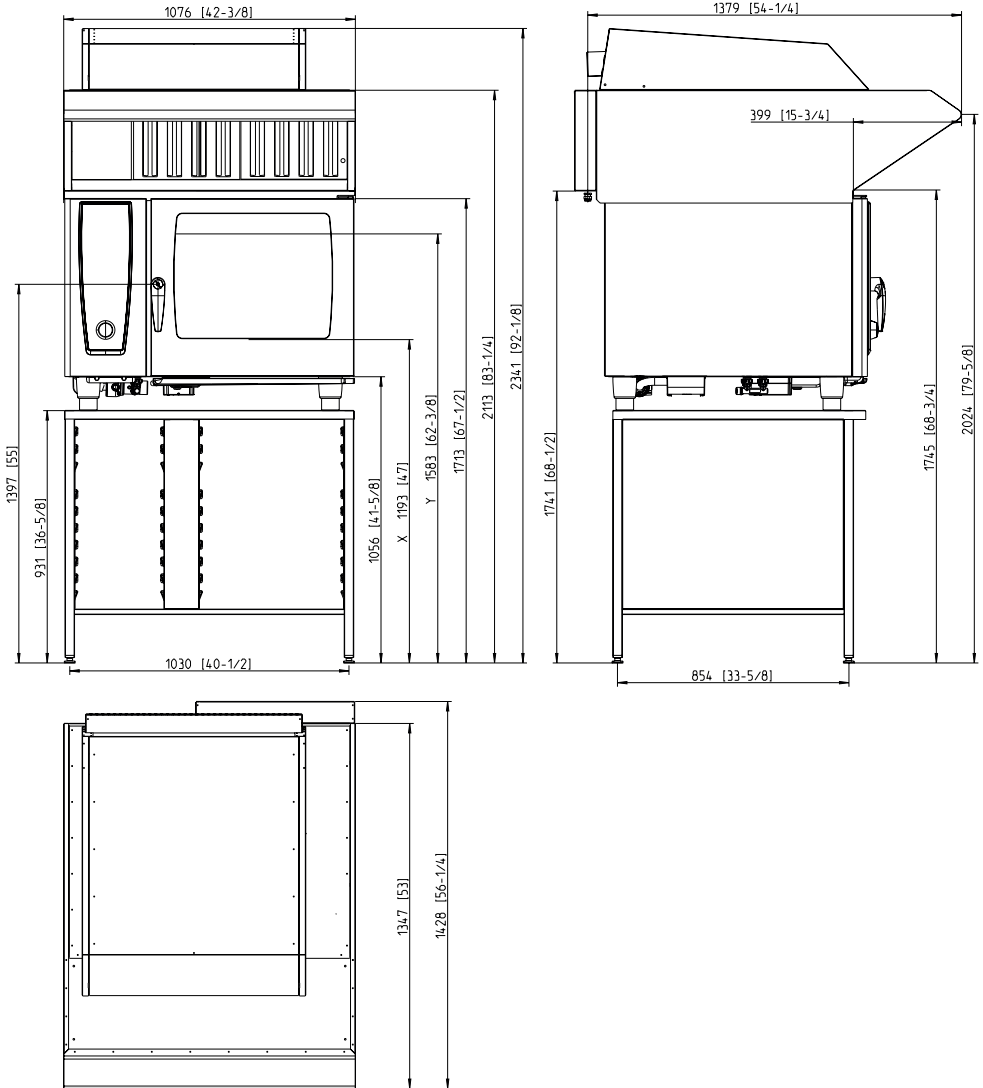
## 1.4. Type 6 x 1/1 GN Electric with UltraVent Plus



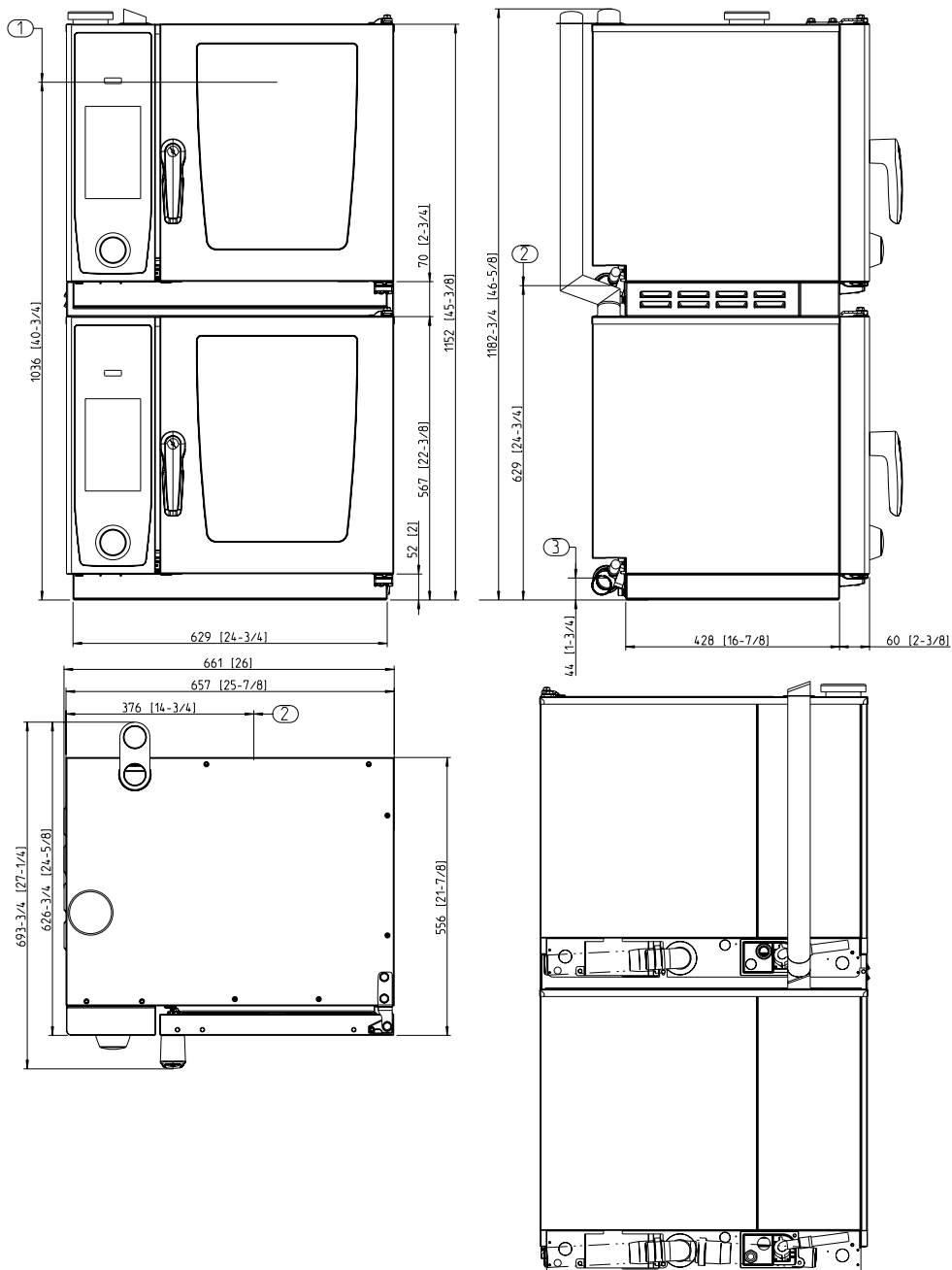
# 1.4. Type 10 x 2/1 GN Electric with UltraVent Plus



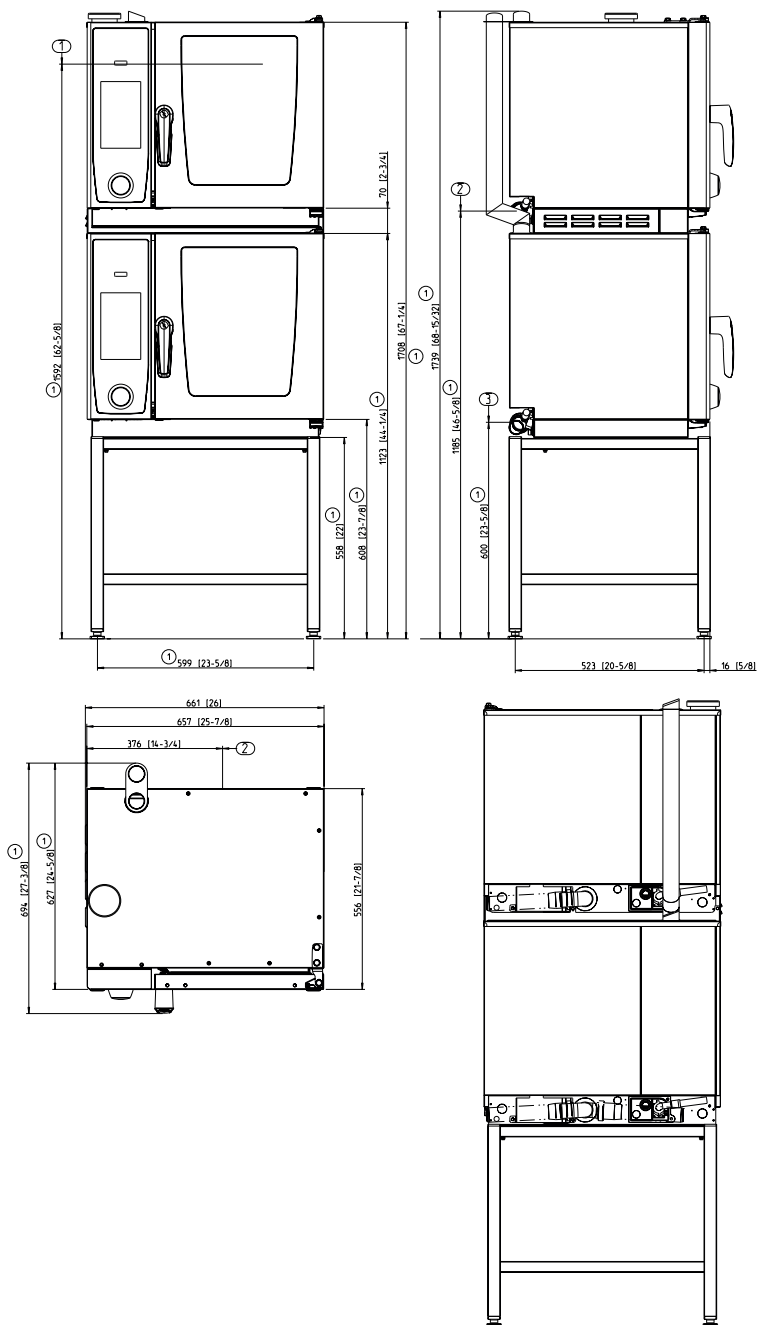
# 1.4. Type 6 x 2/1 GN Electric with UltraVent Plus



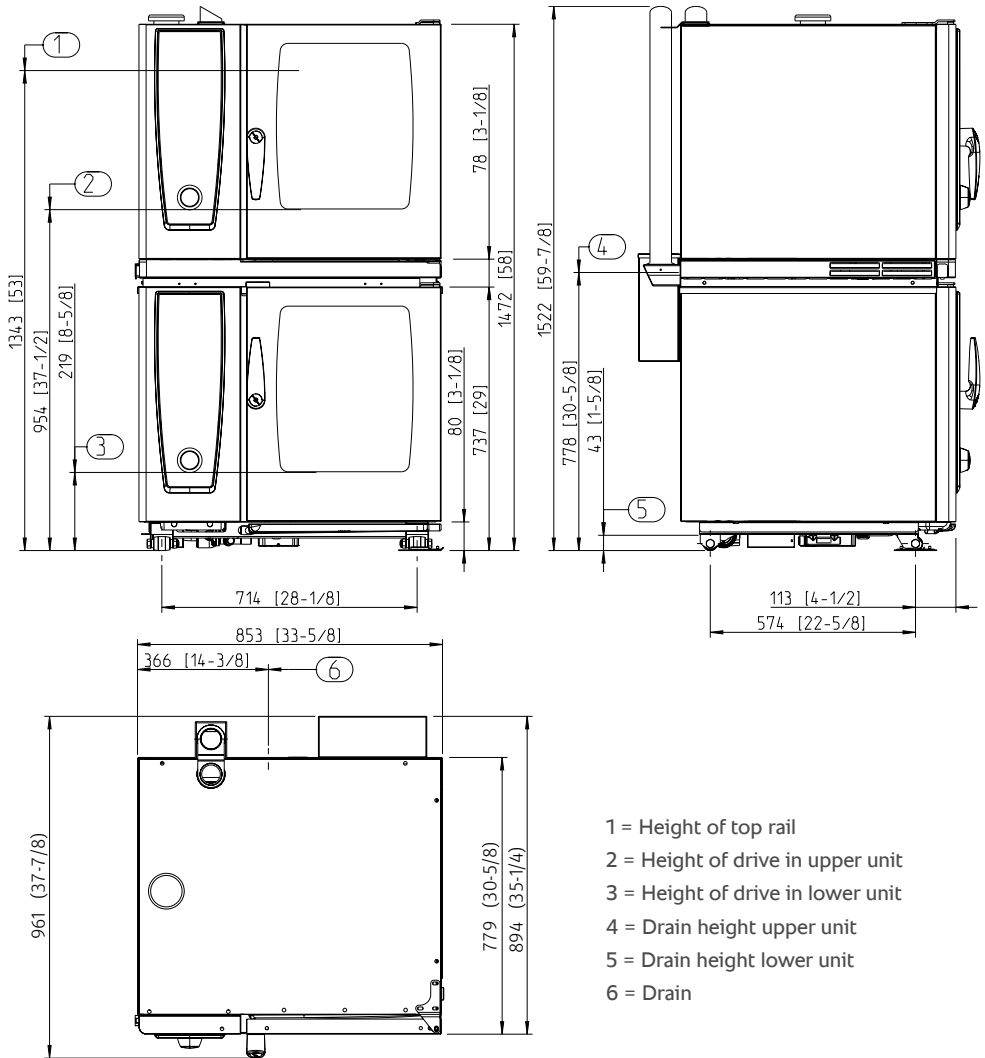
# 1.5. XS type 6 x 2/3 GN on 6 x 2/3 GN



# 1.5. XS type 6 x 2/3 GN on 6 x 2/3 GN and Stand

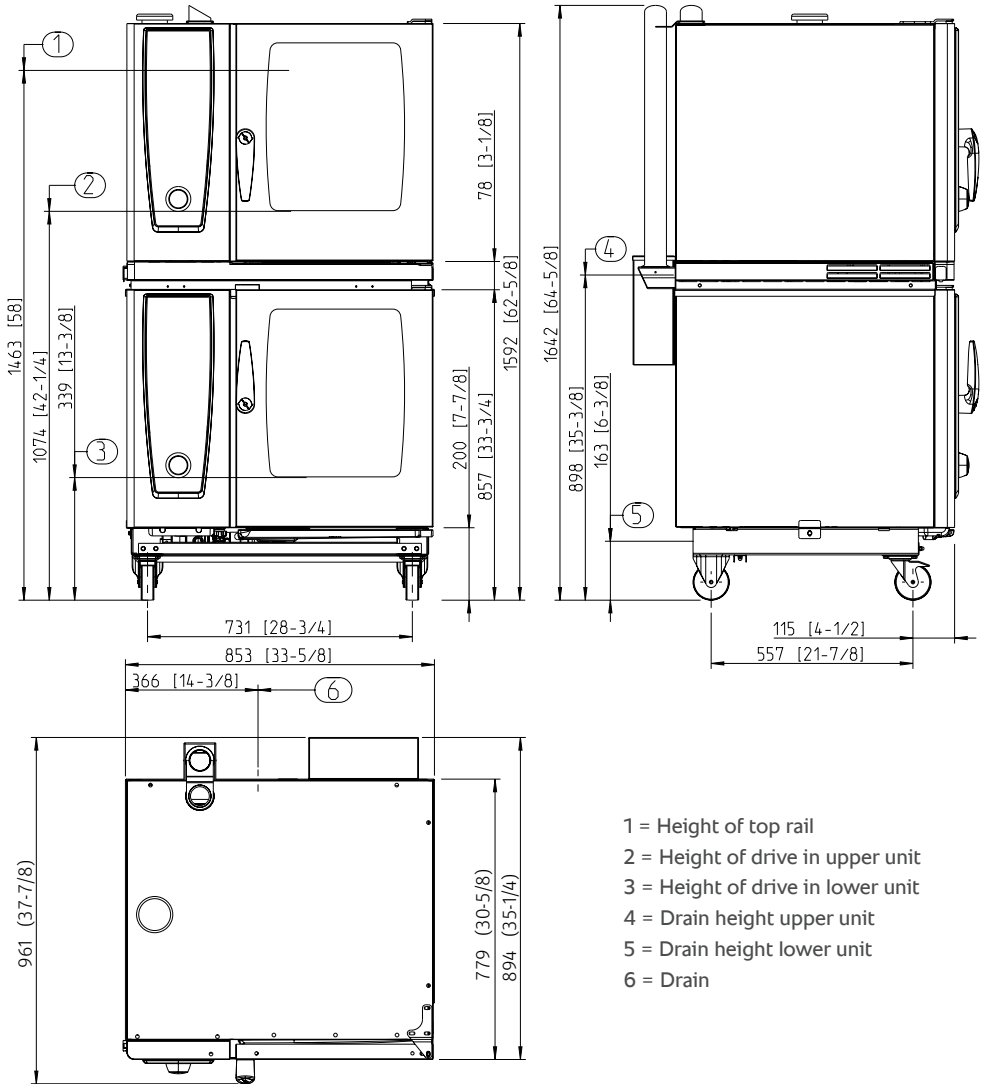


## 1.6. Type 6 x 1/1 GN Electric/Gas on 6 x 1/1 Electric (Standard – with rollers)



mm (inch)

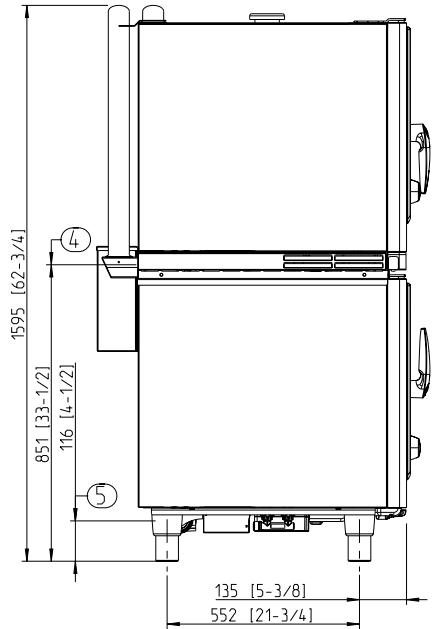
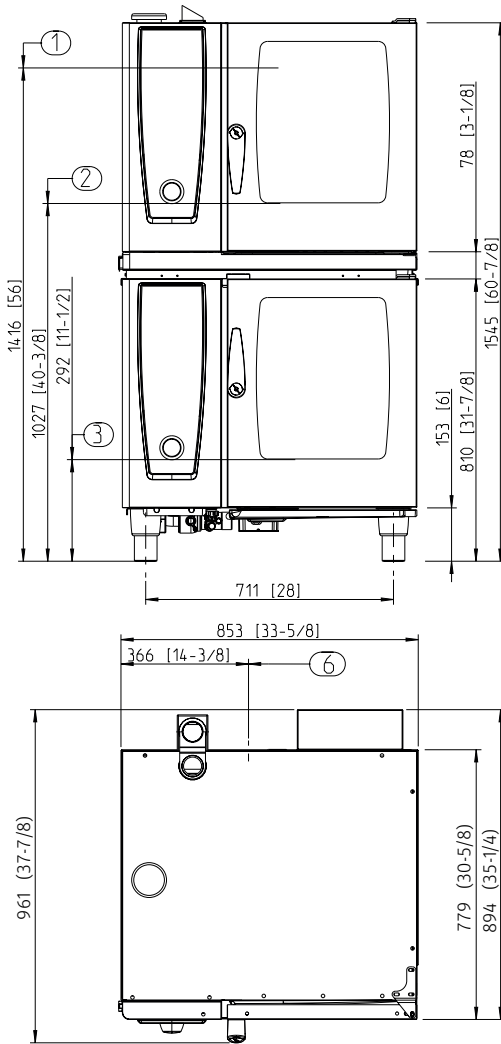
## 1.6. Type 6 x 1/1 GN Electric/Gas on 6 x 1/1 Electric (Mobile with casters)



mm (inch)



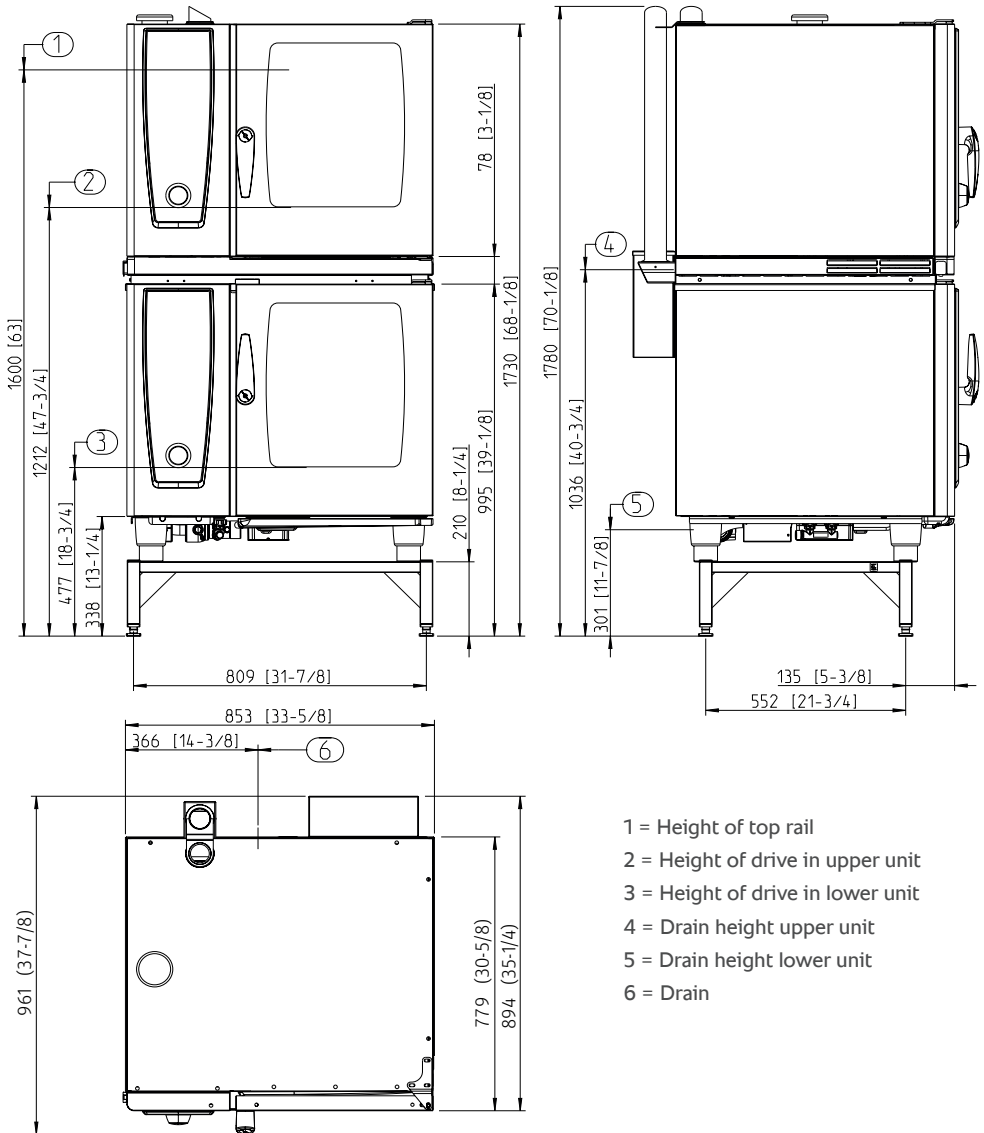
## 1.6. Type 6 x 1/1 GN Electric/Gas on 6 x 1/1 Electric (Feet 150 mm)



- 1 = Height of top rail
- 2 = Height of drive in upper unit
- 3 = Height of drive in lower unit
- 4 = Drain height upper unit
- 5 = Drain height lower unit
- 6 = Drain

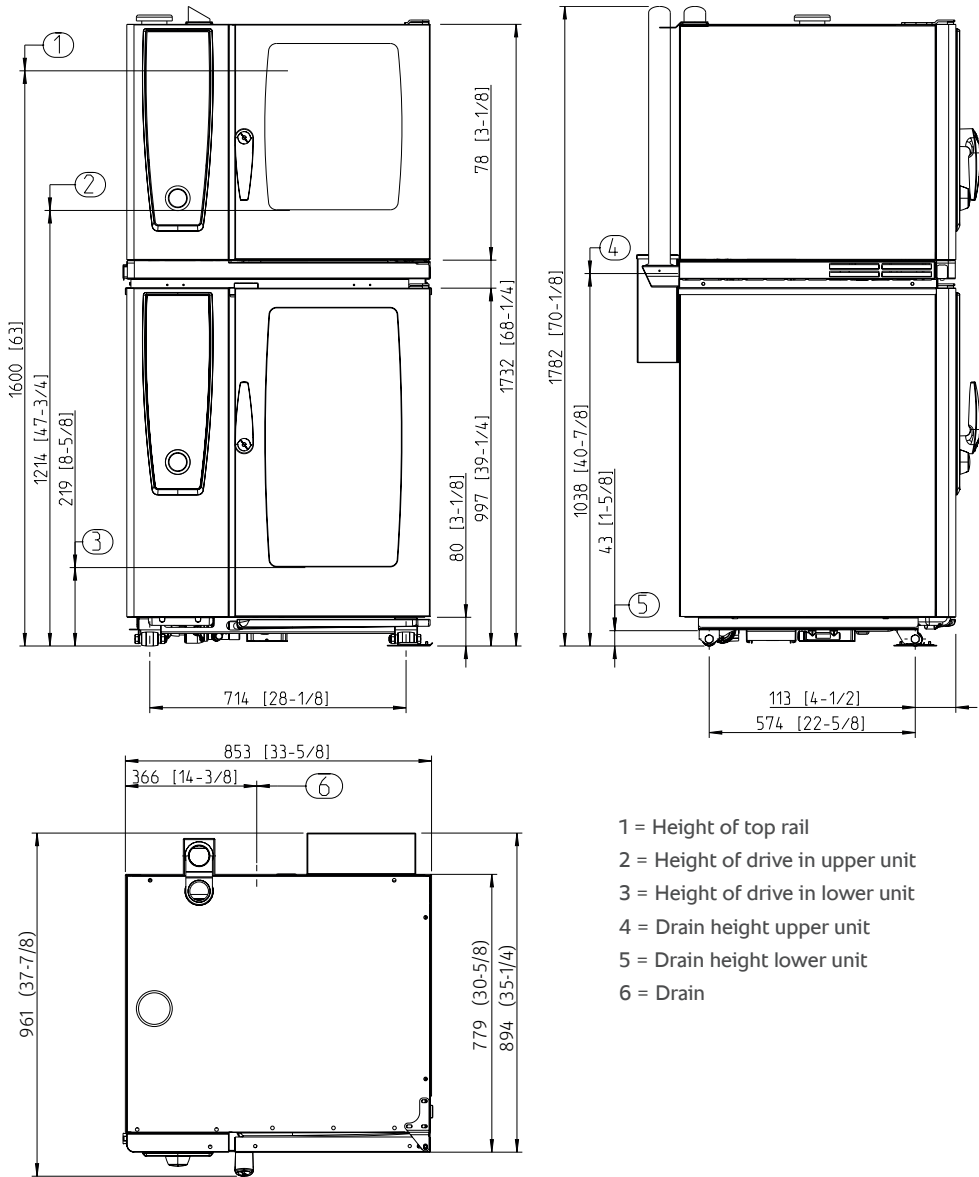
mm (inch)

## 1.6. Type 6 x 1/1 GN Electric/Gas on 6 x 1/1 Electric and Stand



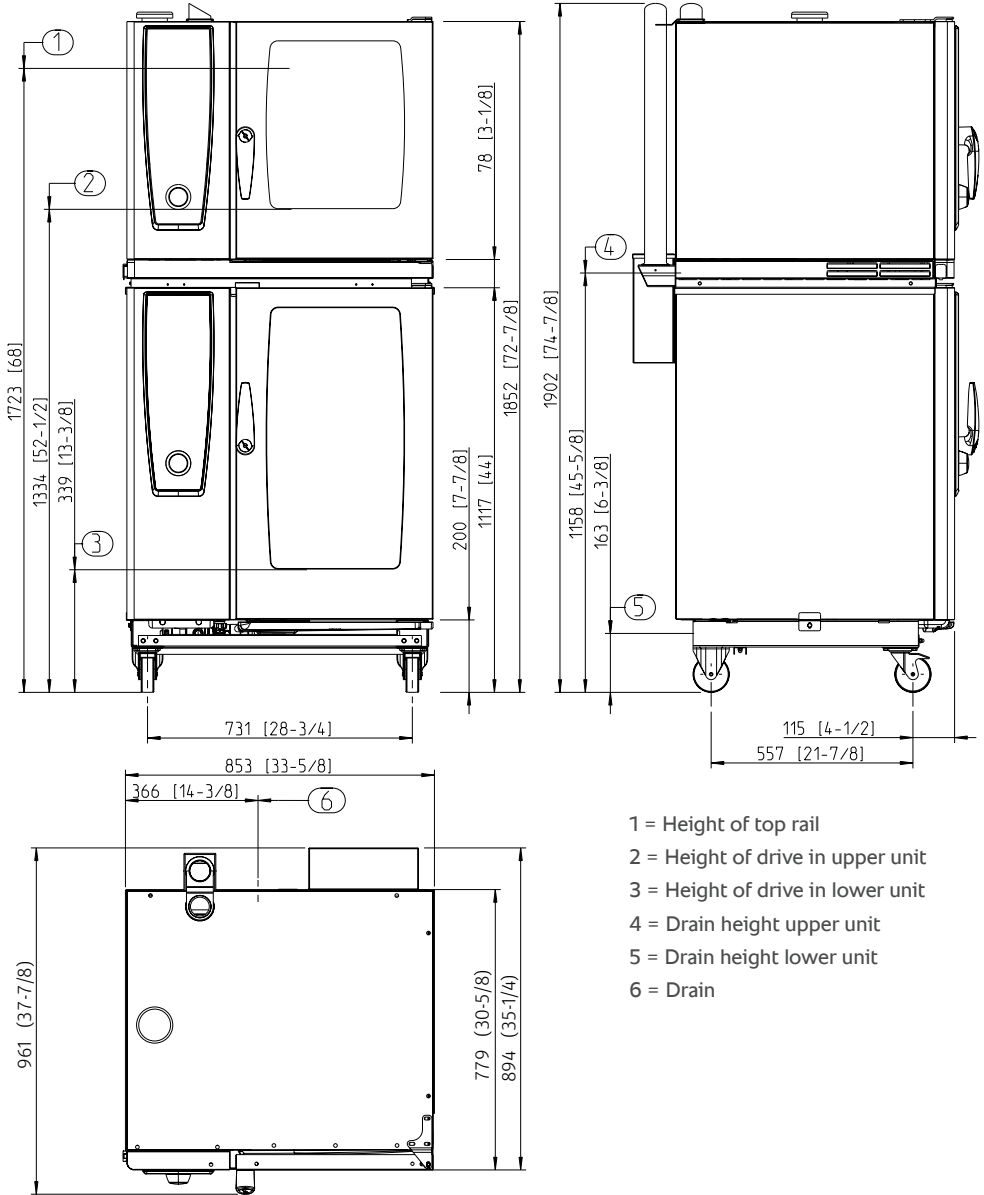
mm (inch)

## 1.7. Type 6 x 1/1 GN Electric/Gas on 10 x 1/1 Electric (Standard – with rollers)



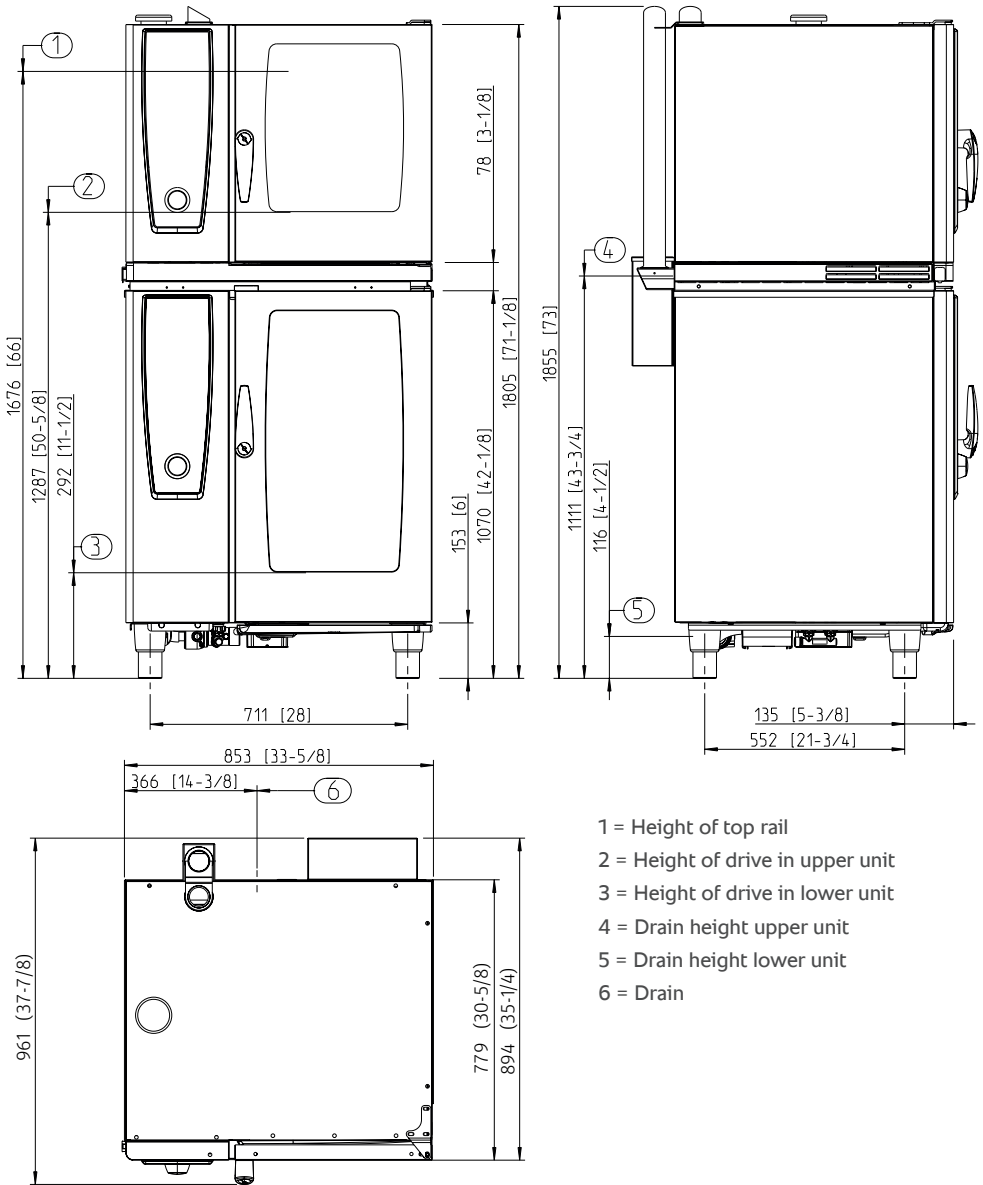
mm (inch)

# 1.7. Type 6 x 1/1 GN Electric/Gas on 10 x 1/1 Electric (Mobile with casters)



mm (inch)

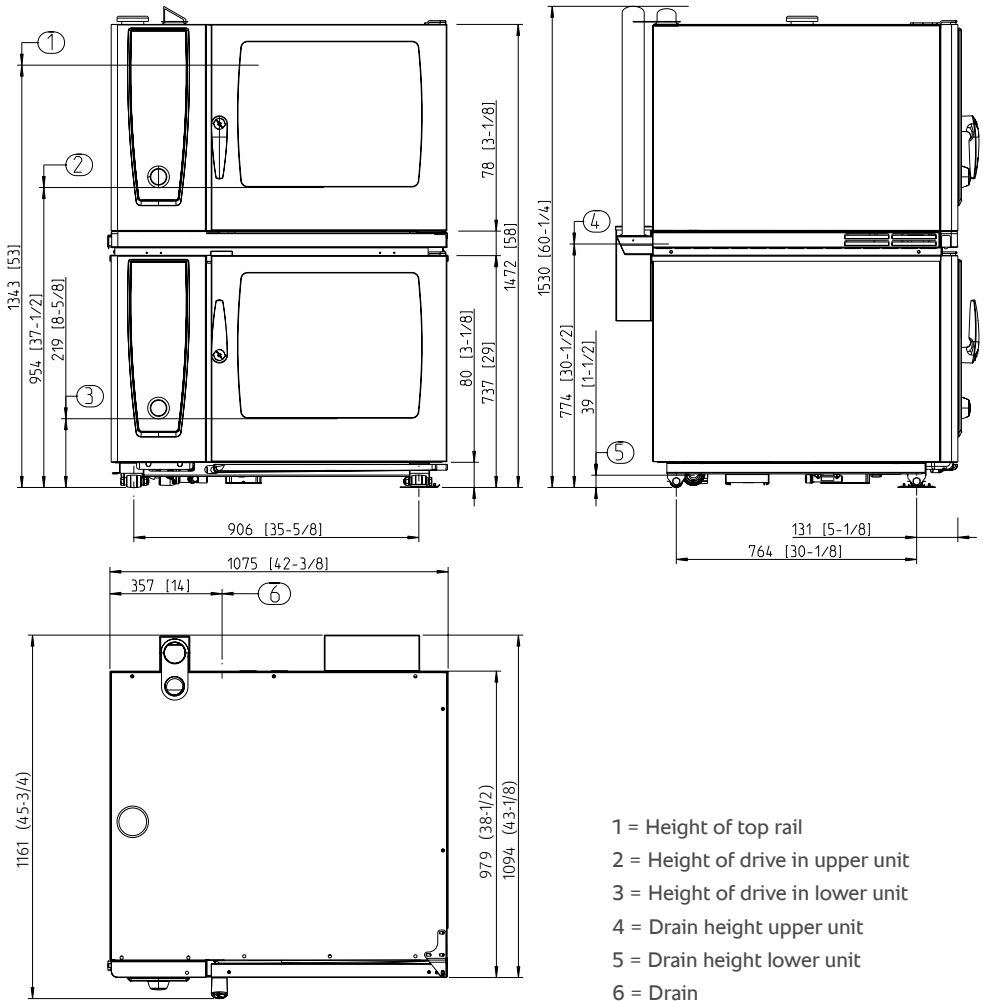
## 1.7. Type 6 x 1/1 GN Electric/Gas on 10 x 1/1 Electric (Feet 150 mm)



- 1 = Height of top rail
- 2 = Height of drive in upper unit
- 3 = Height of drive in lower unit
- 4 = Drain height upper unit
- 5 = Drain height lower unit
- 6 = Drain

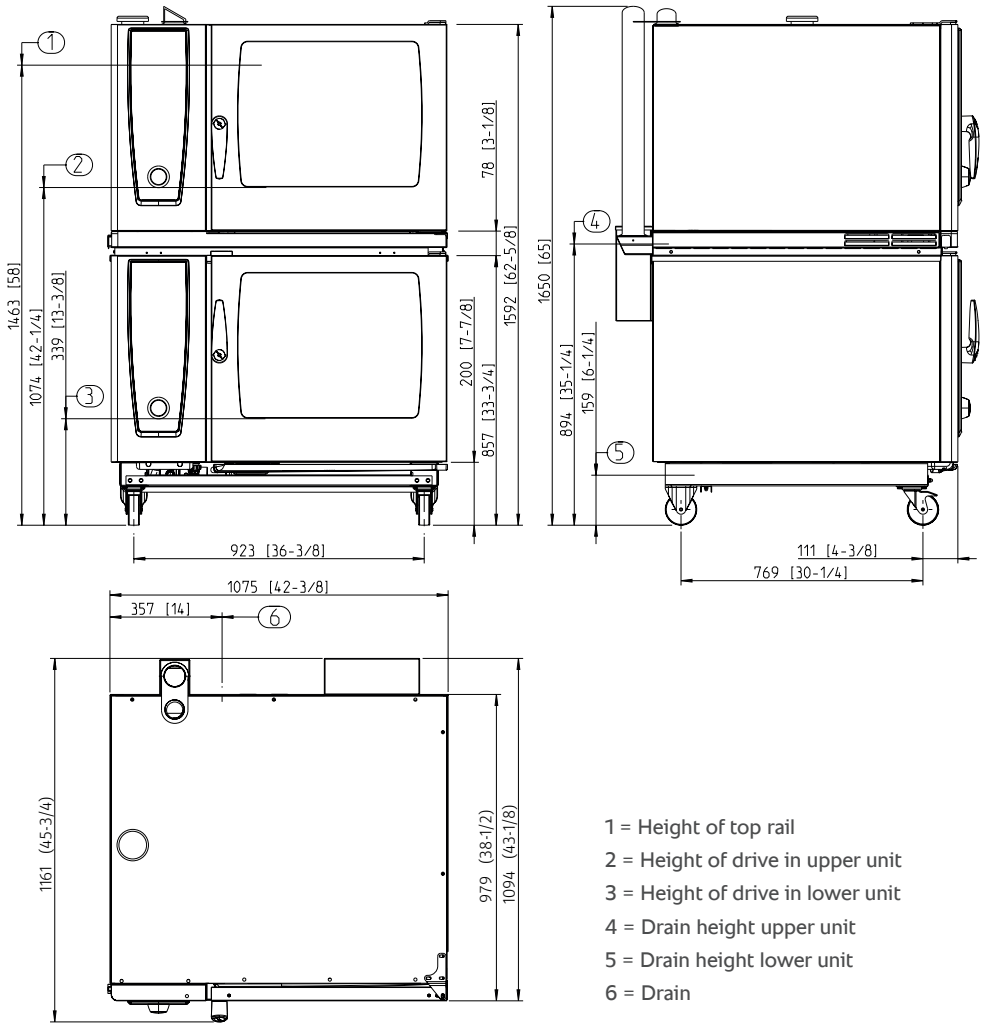
mm (inch)

## 1.8. Type 6 x 2/1 GN Electric/Gas on 6 x 2/1 Electric (Standard – with rollers)



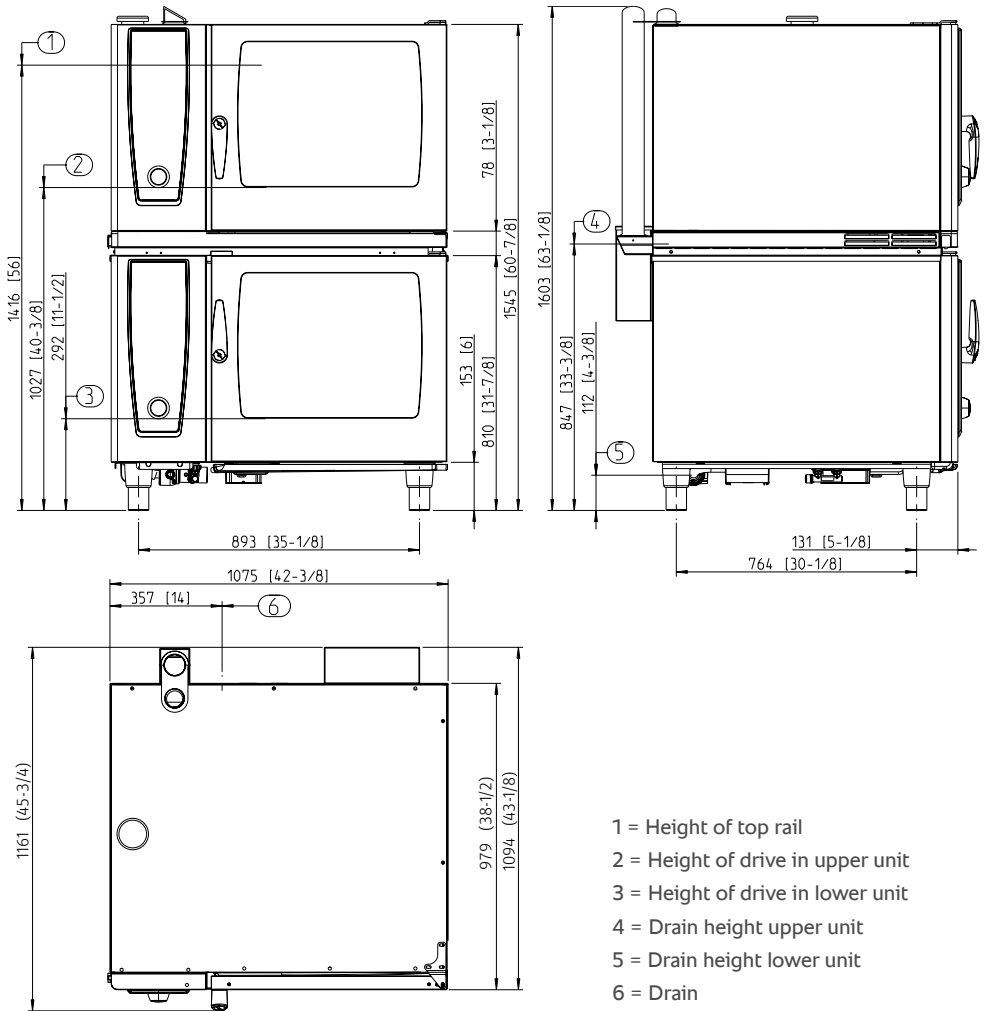
mm (inch)

## 1.8. Type 6 x 2/1 GN Electric/Gas on 6 x 2/1 Electric (Mobile with casters)



mm (inch)

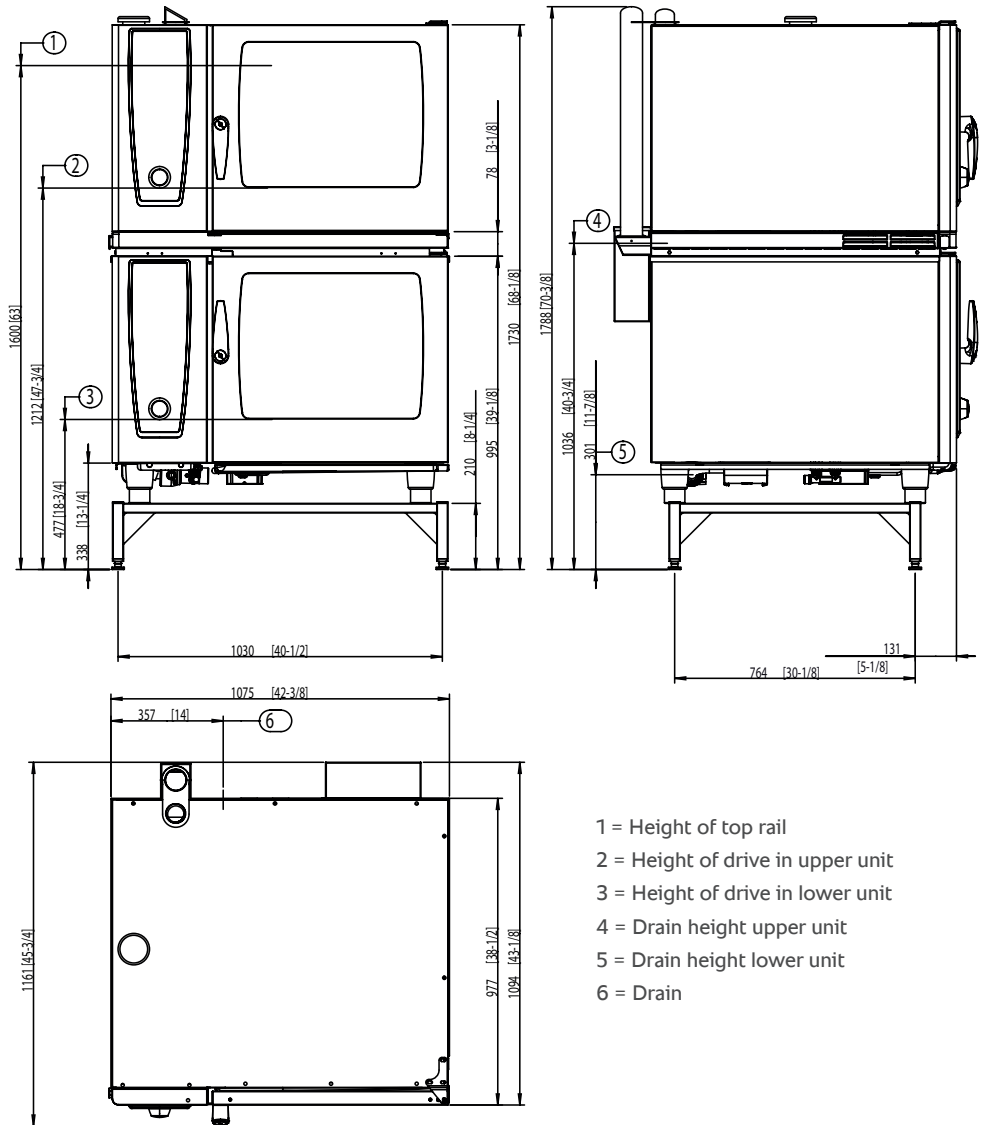
## 1.8. Type 6 x 2/1 GN Electric/Gas on 6 x 2/1 Electric (Feet 150 mm)



mm (inch)

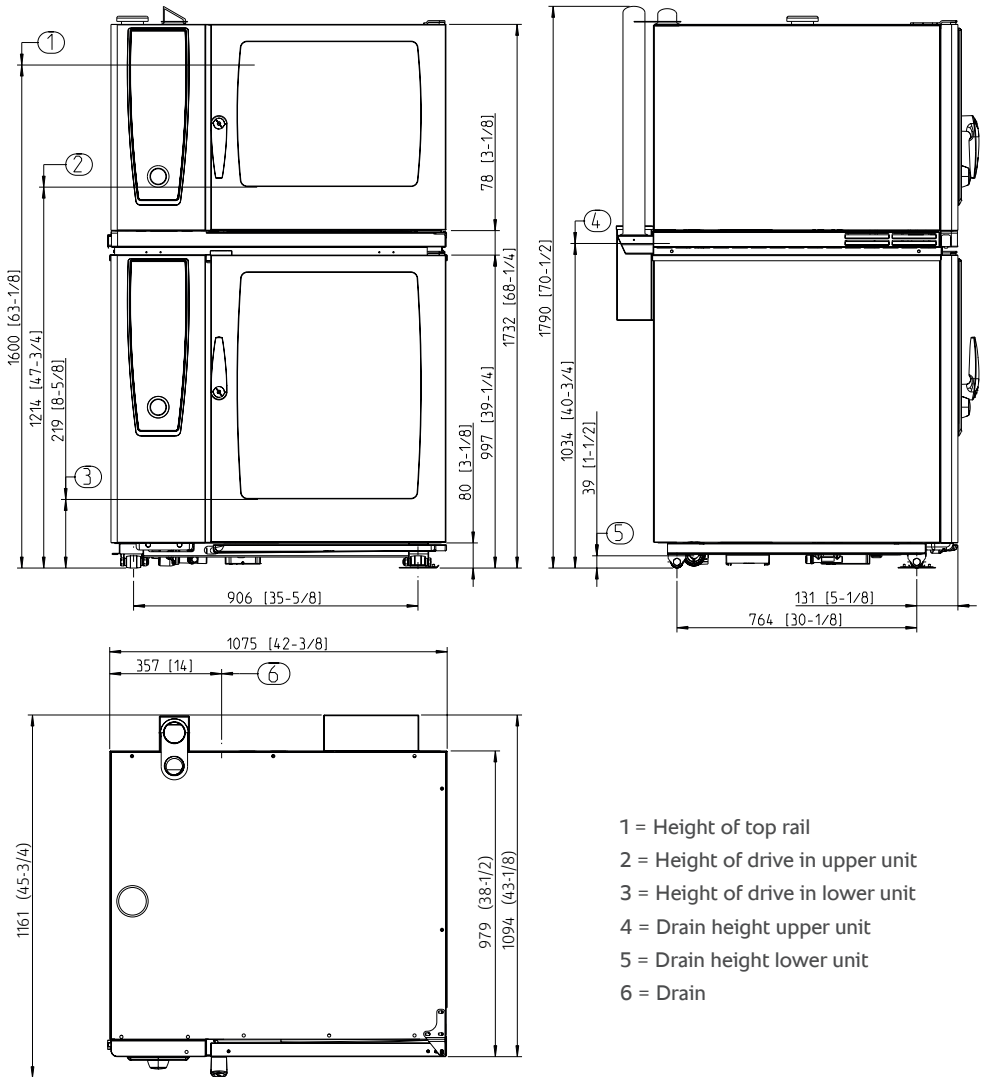


## 1.8. Type 6 x 2/1 GN Electric/Gas on 6 x 2/1 Electric and Stand



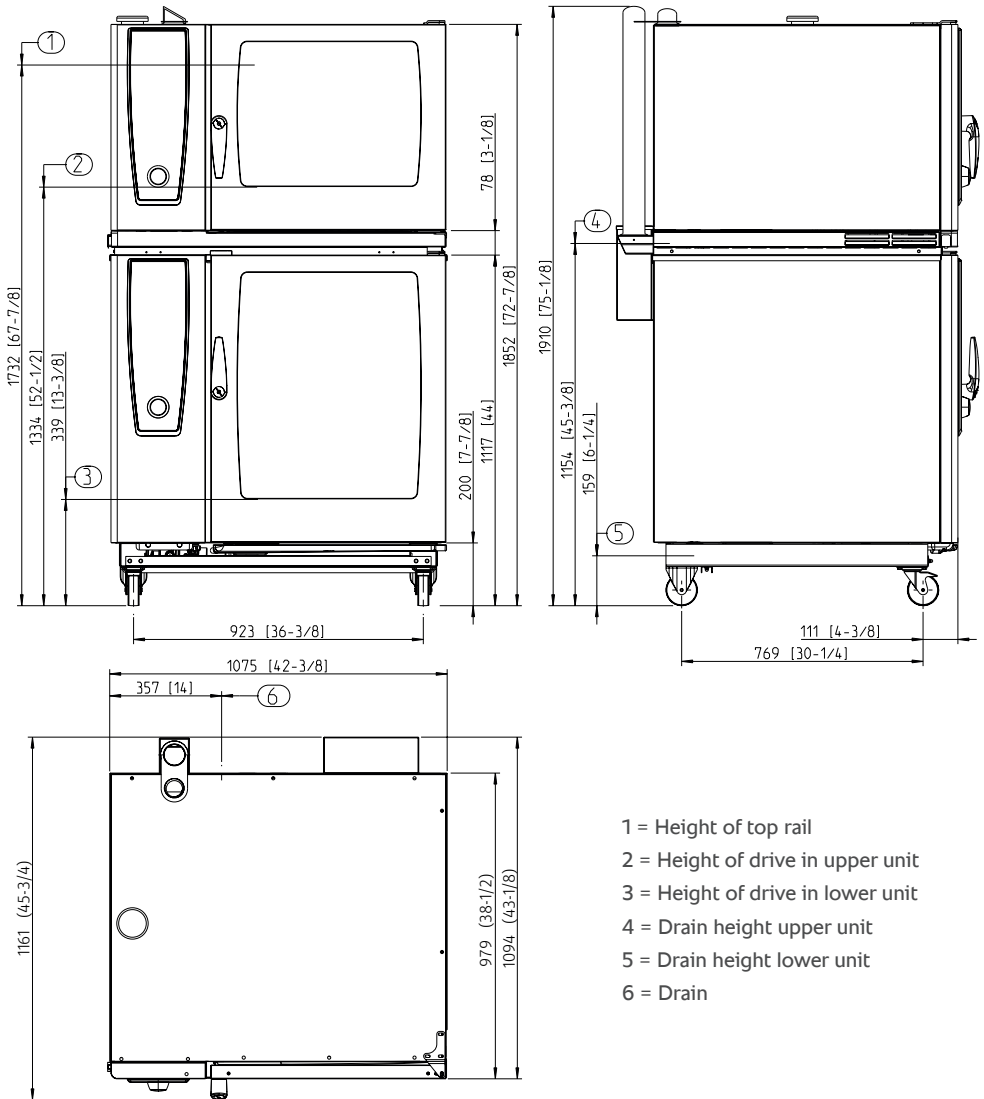
mm (inch)

## 1.9. Type 6 x 2/1 GN Electric/Gas on 10 x 2/1 Electric (Standard – with rollers)



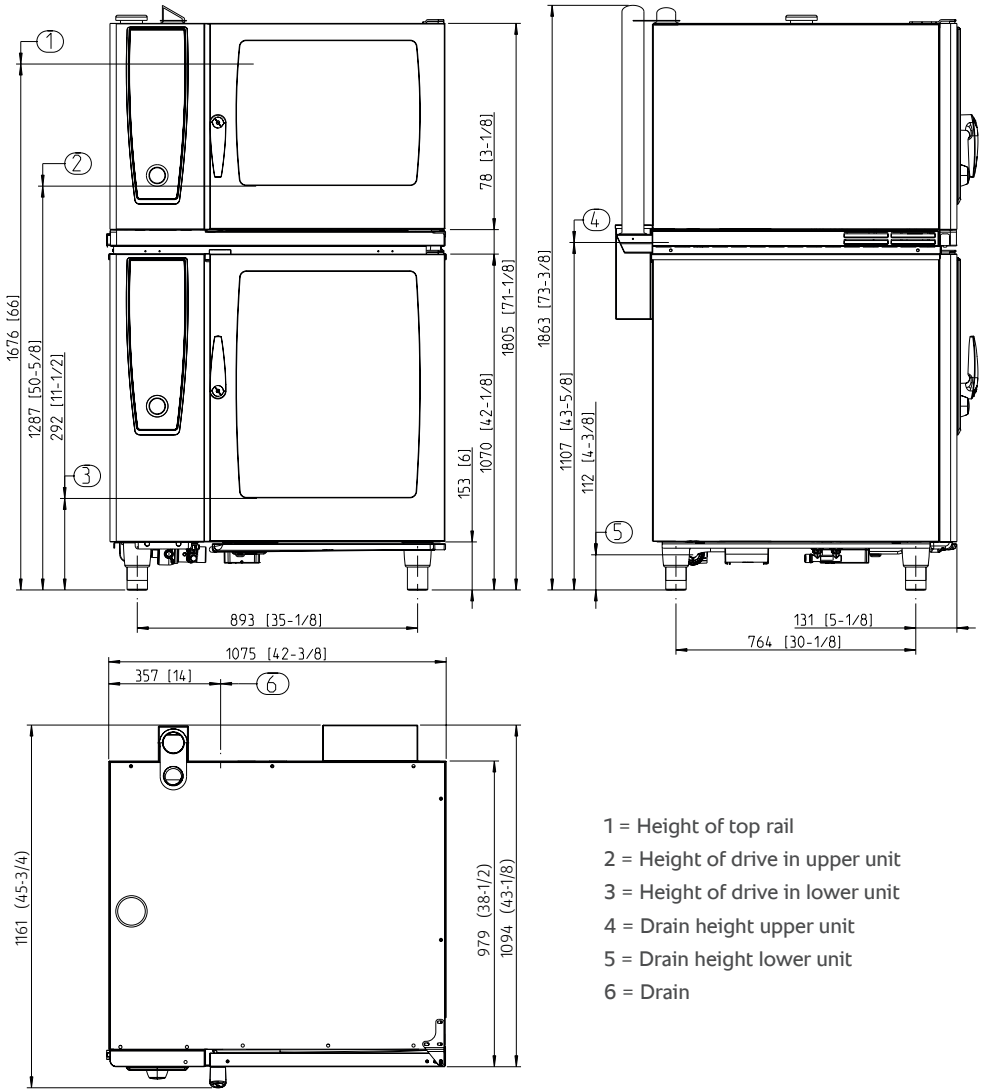
mm (inch)

## 1.9. Type 6 x 2/1 GN Electric/Gas on 10 x 2/1 Electric (Mobile with casters)



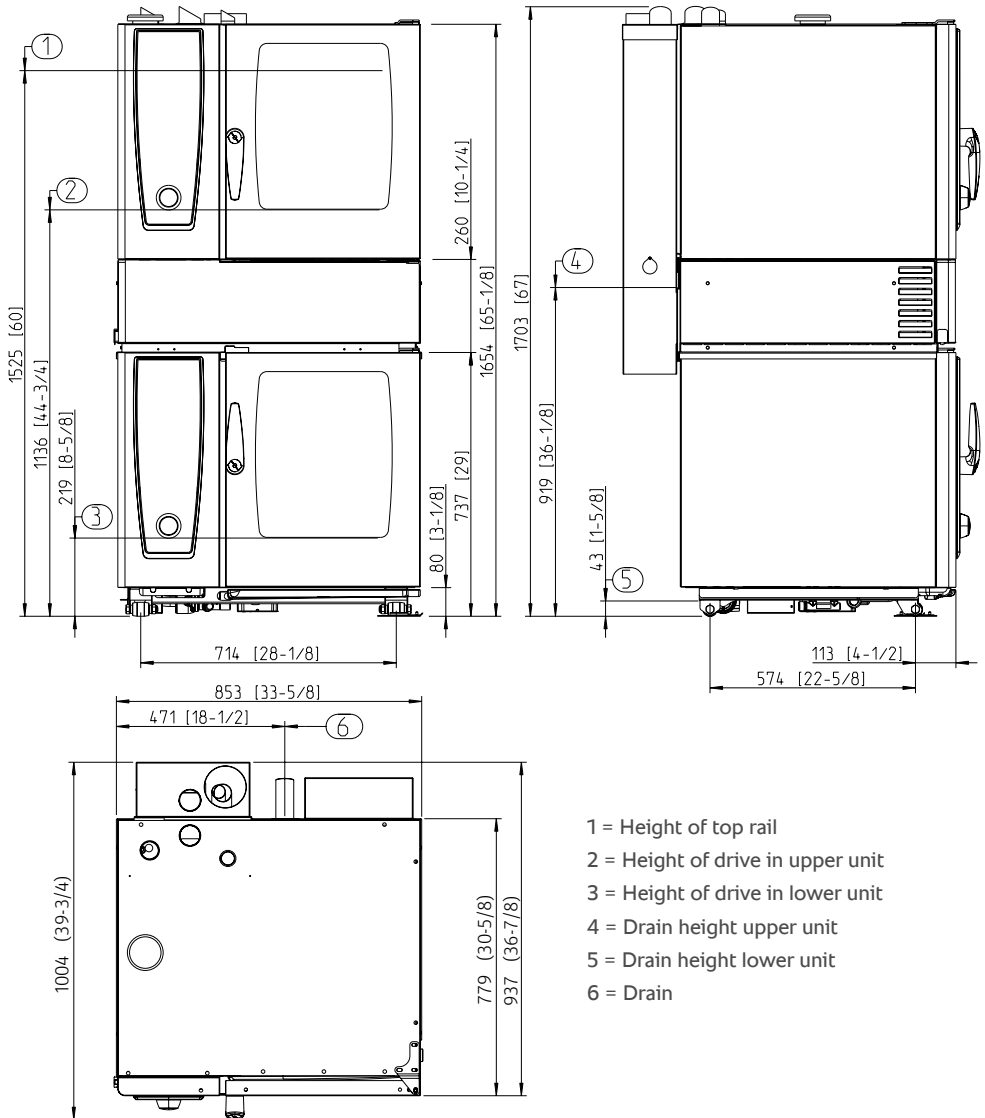
mm (inch)

# 1.9. Type 6 x 2/1 GN Electric/Gas on 10 x 2/1 Electric (Feet 150 mm)



mm (inch)

## 1.10. Type 6 x 1/1 GN Electric/Gas on 6 x 1/1 Gas (Standard – with rollers)

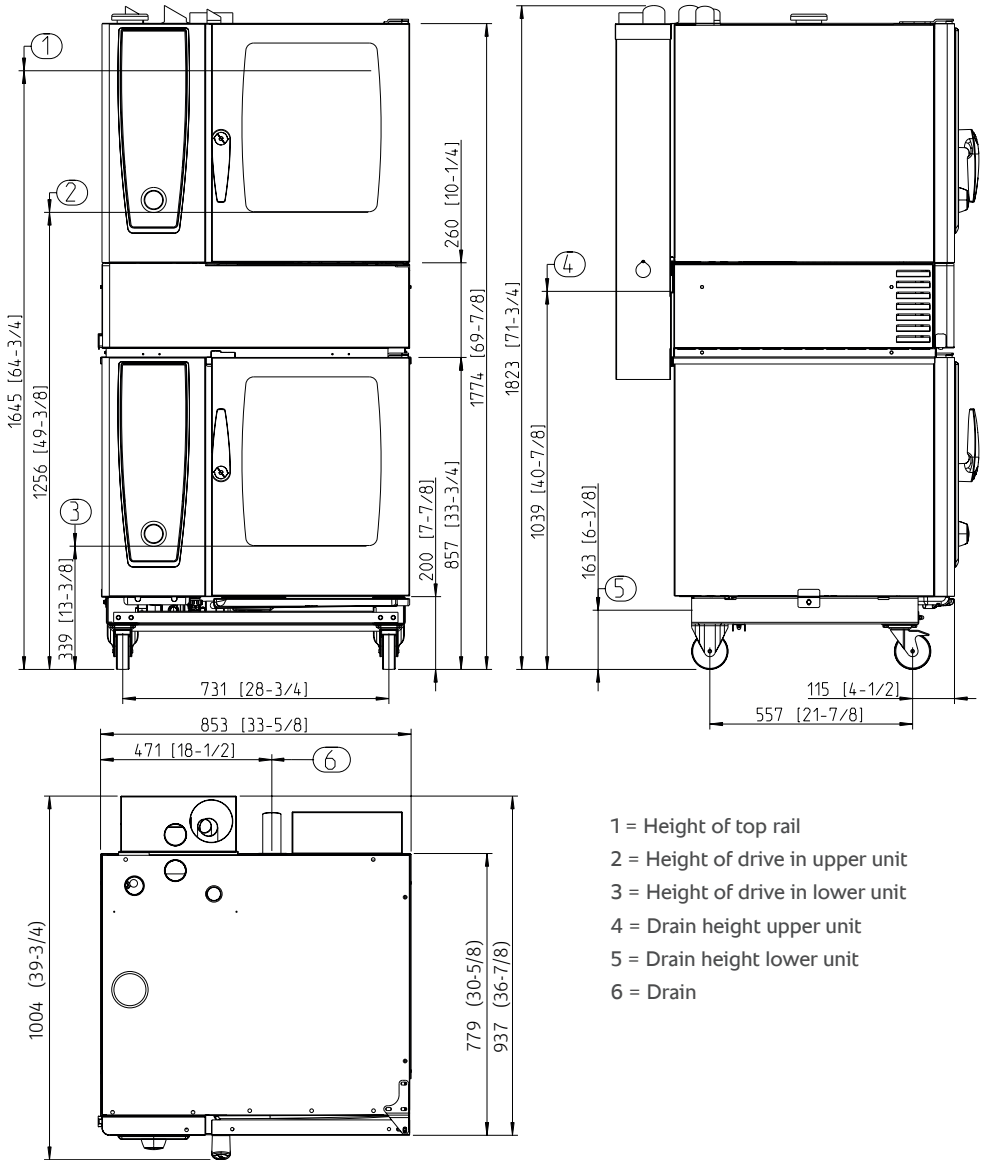


- 1 = Height of top rail
- 2 = Height of drive in upper unit
- 3 = Height of drive in lower unit
- 4 = Drain height upper unit
- 5 = Drain height lower unit
- 6 = Drain

mm (inch)

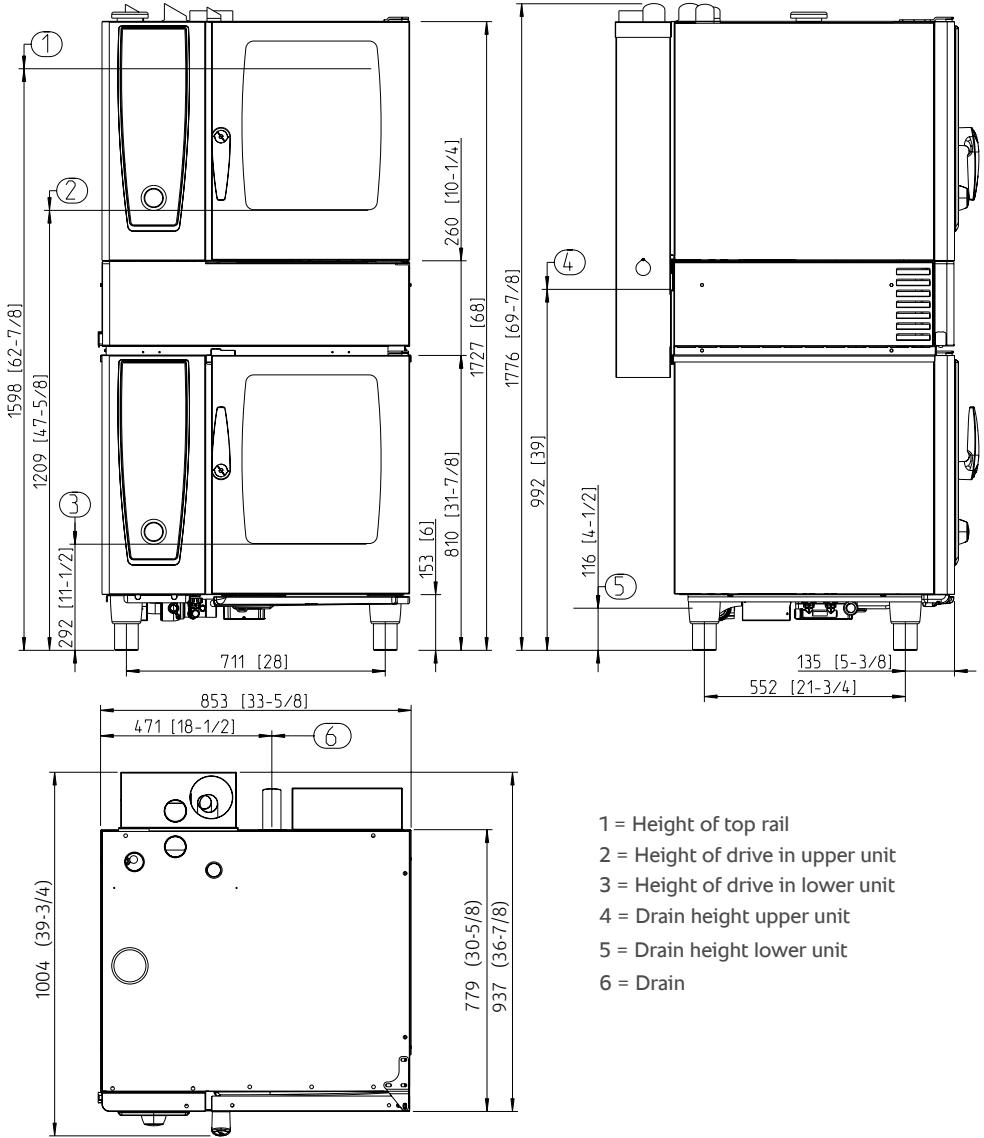


# 1.10. Type 6 x 1/1 GN Electric/Gas on 6 x 1/1 Gas (Mobile with casters)



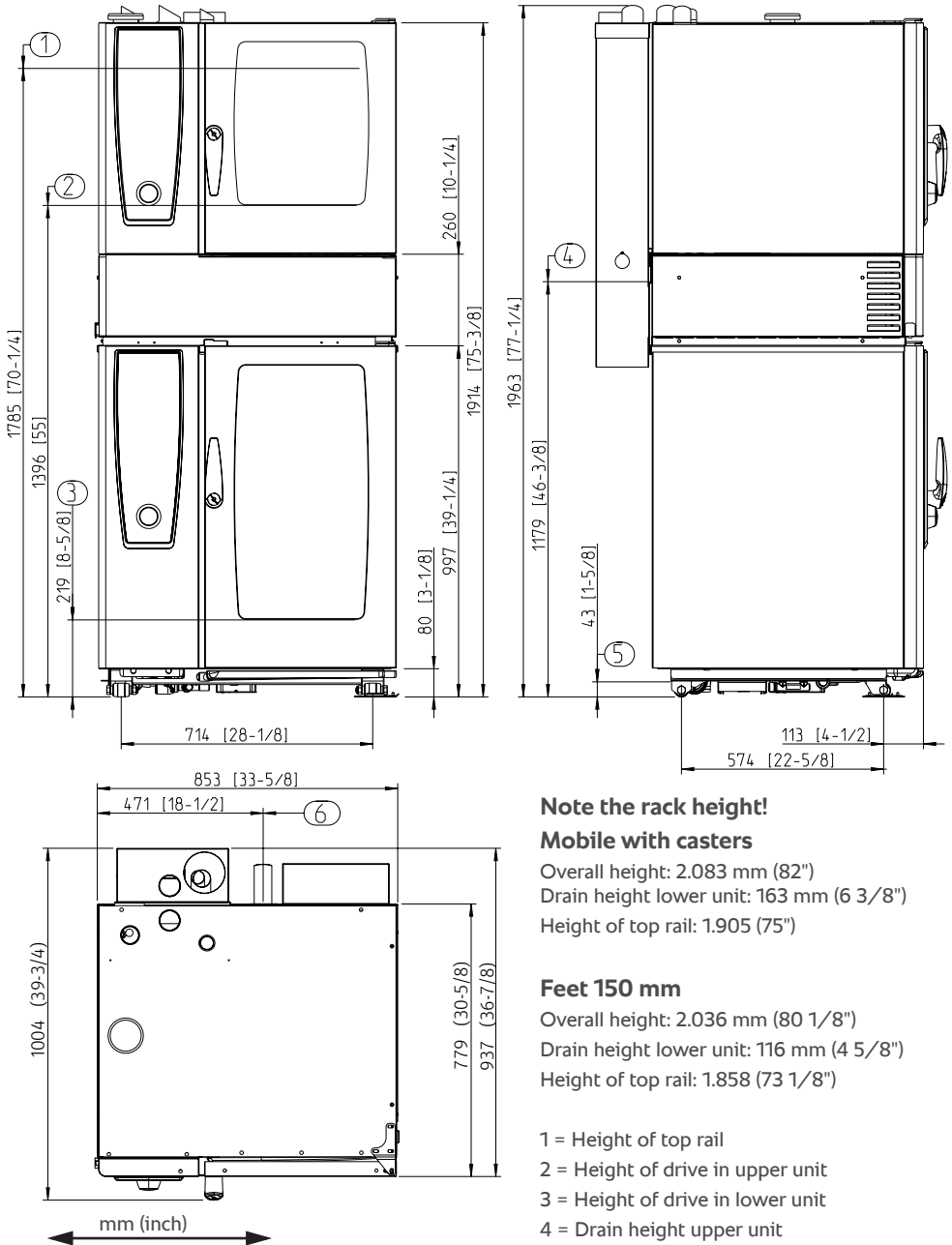
mm (inch)

# 1.10. Type 6 x 1/1 GN Electric/Gas on 6 x 1/1 Gas (Feet 150 mm)



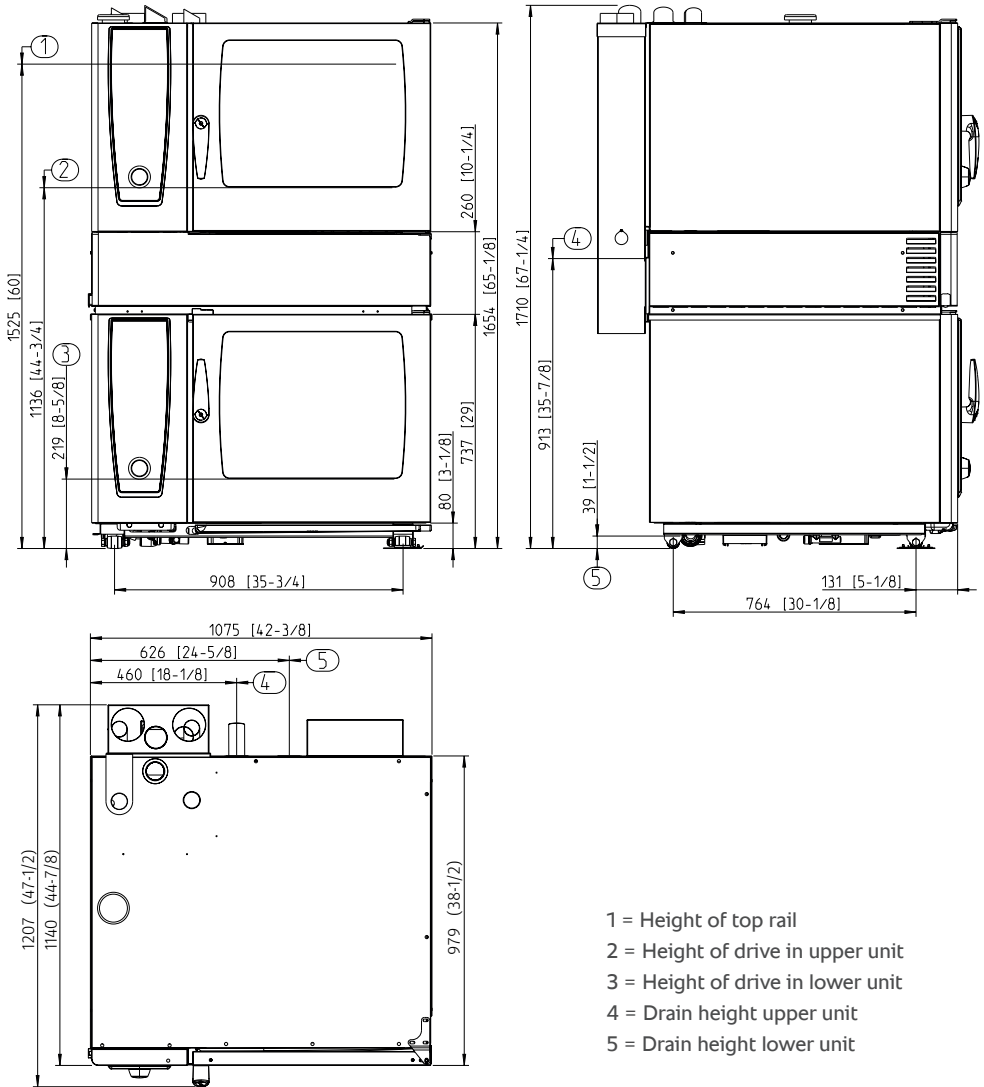
mm (inch)

## 1.11. Type 6 x 1/1 GN Electric/Gas on 10 x 1/1 Gas (Standard – with rollers)



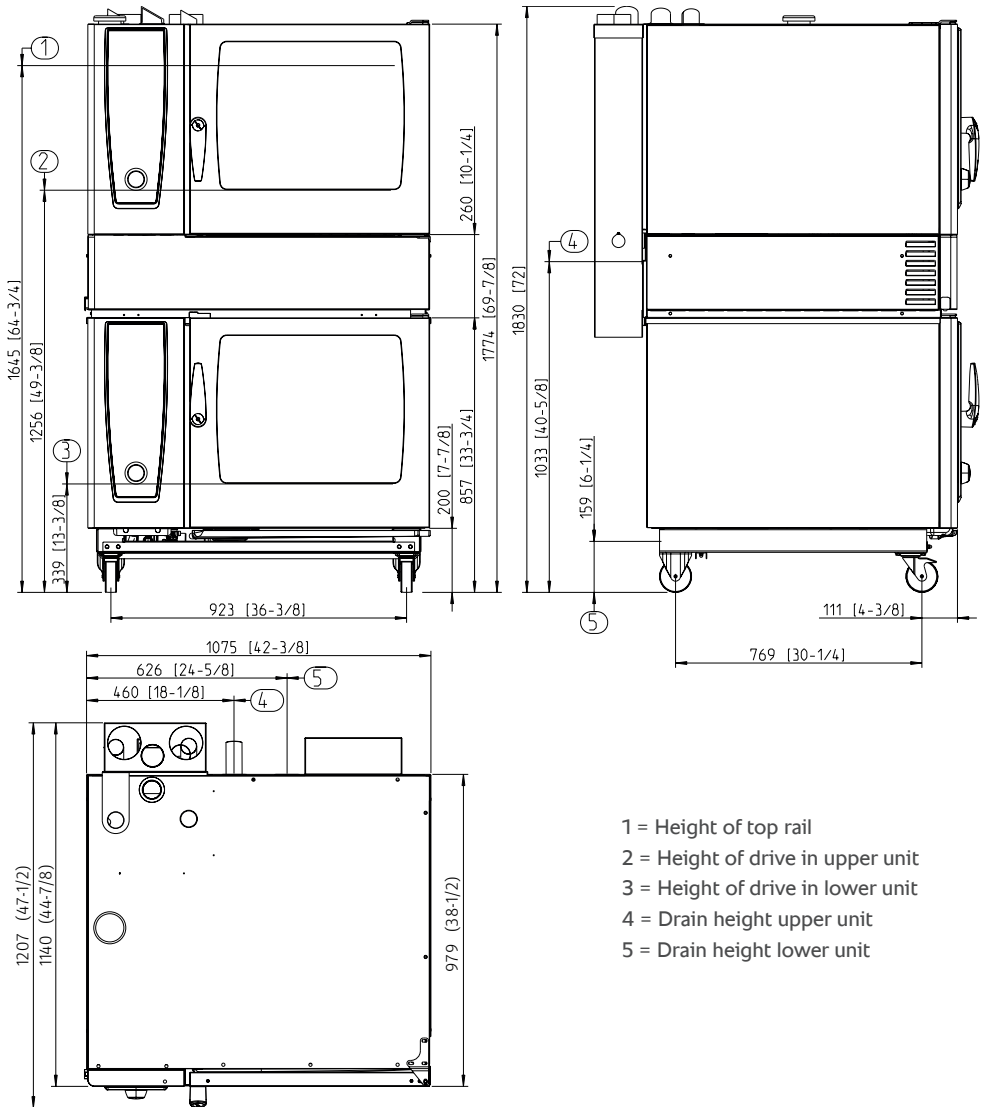


## 1.12. Type 6 x 2/1 GN Electric/Gas on 6 x 2/1 Gas (Standard – with rollers)



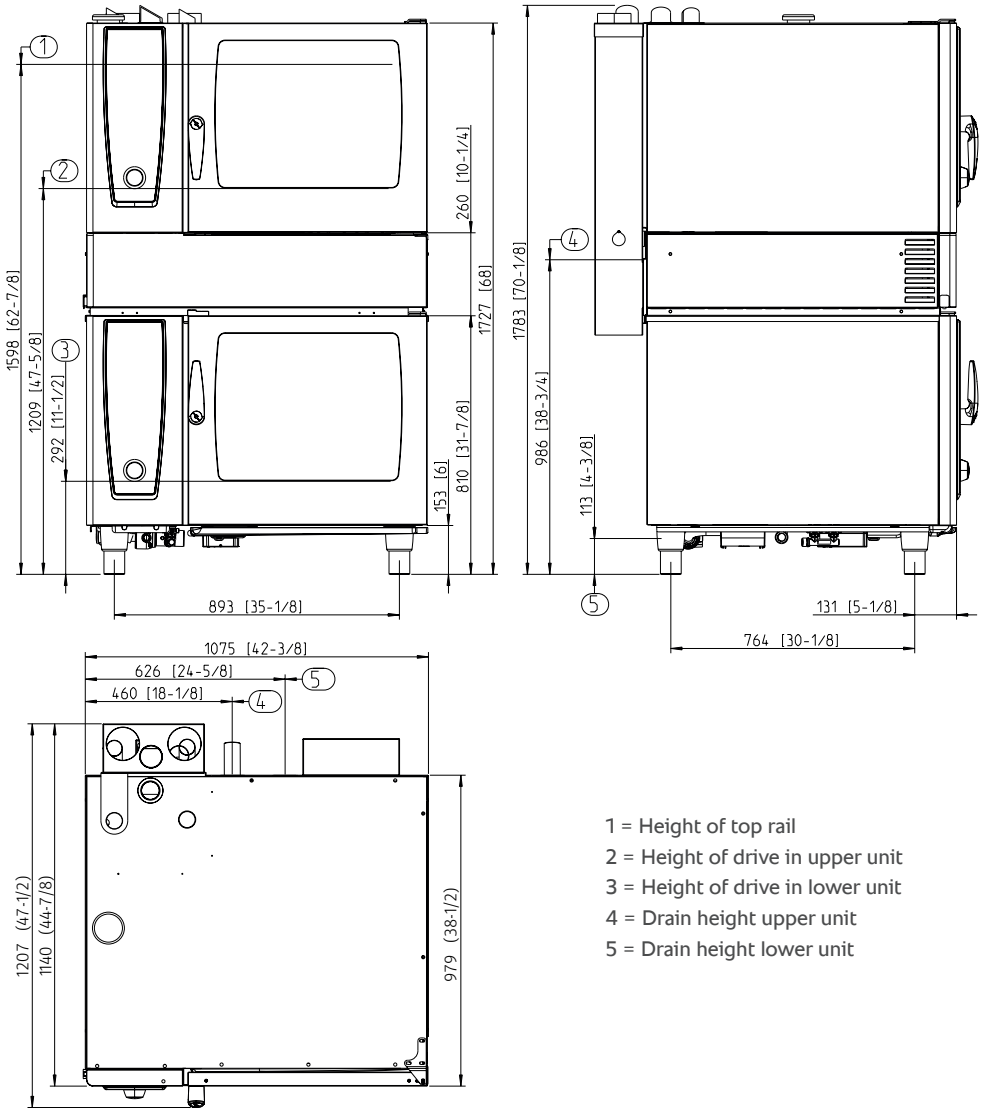
mm (inch)

## 1.12. Type 6 x 2/1 GN Electric/Gas on 6 x 2/1 Gas (Mobile with casters)



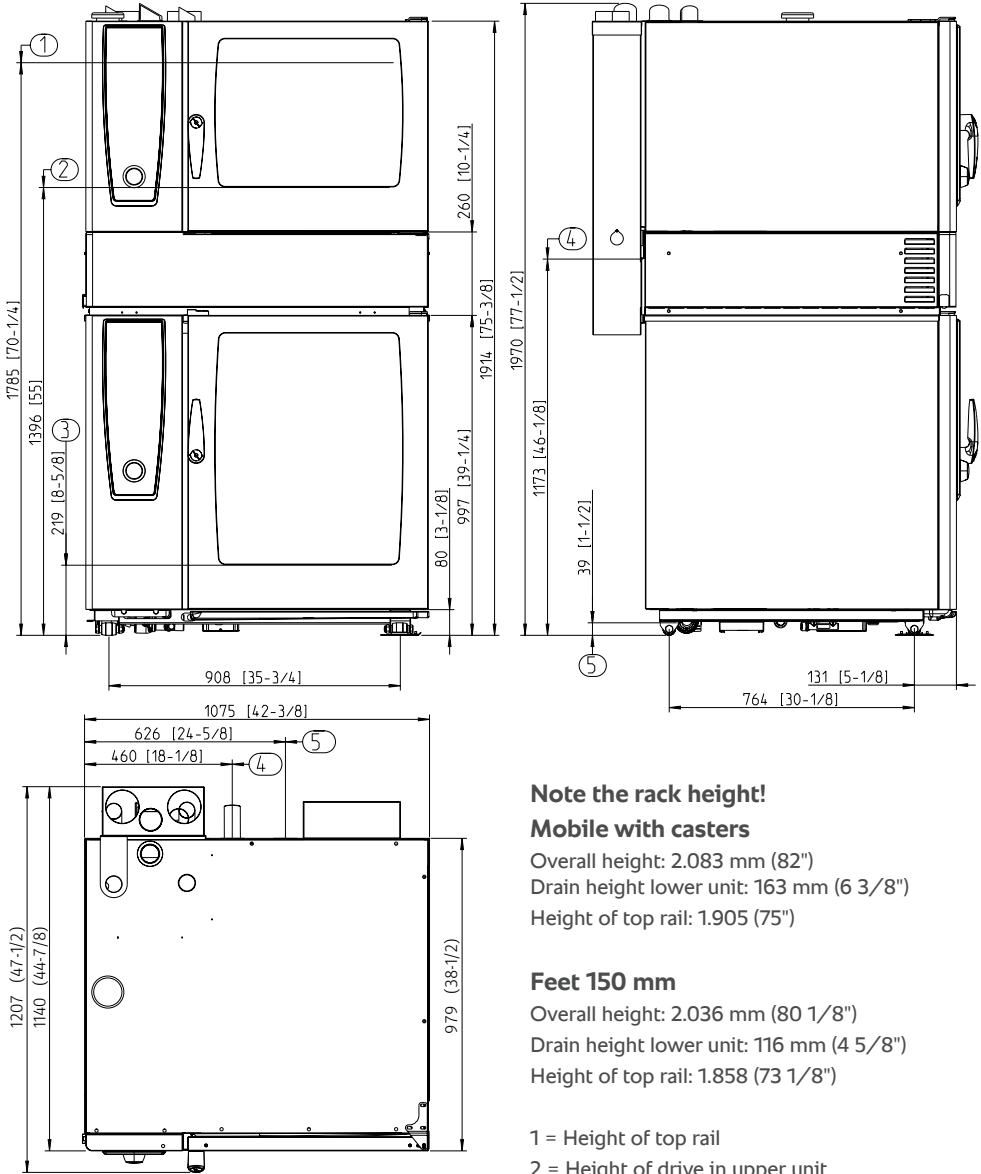
mm (inch)

## 1.12. Type 6 x 2/1 GN Electric/Gas on 6 x 2/1 Gas (Feet 150 mm)



mm (inch)

# 1.13. Type 6 x 2/1 Electric/Gas on 10 x 2/1 Gas (Standard – with rollers)



**Note the rack height!**

**Mobile with casters**

Overall height: 2.083 mm (82")

Drain height lower unit: 163 mm (6 3/8")

Height of top rail: 1.905 (75")

**Feet 150 mm**

Overall height: 2.036 mm (80 1/8")

Drain height lower unit: 116 mm (4 5/8")

Height of top rail: 1.858 (73 1/8")

1 = Height of top rail

2 = Height of drive in upper unit

3 = Height of drive in lower unit

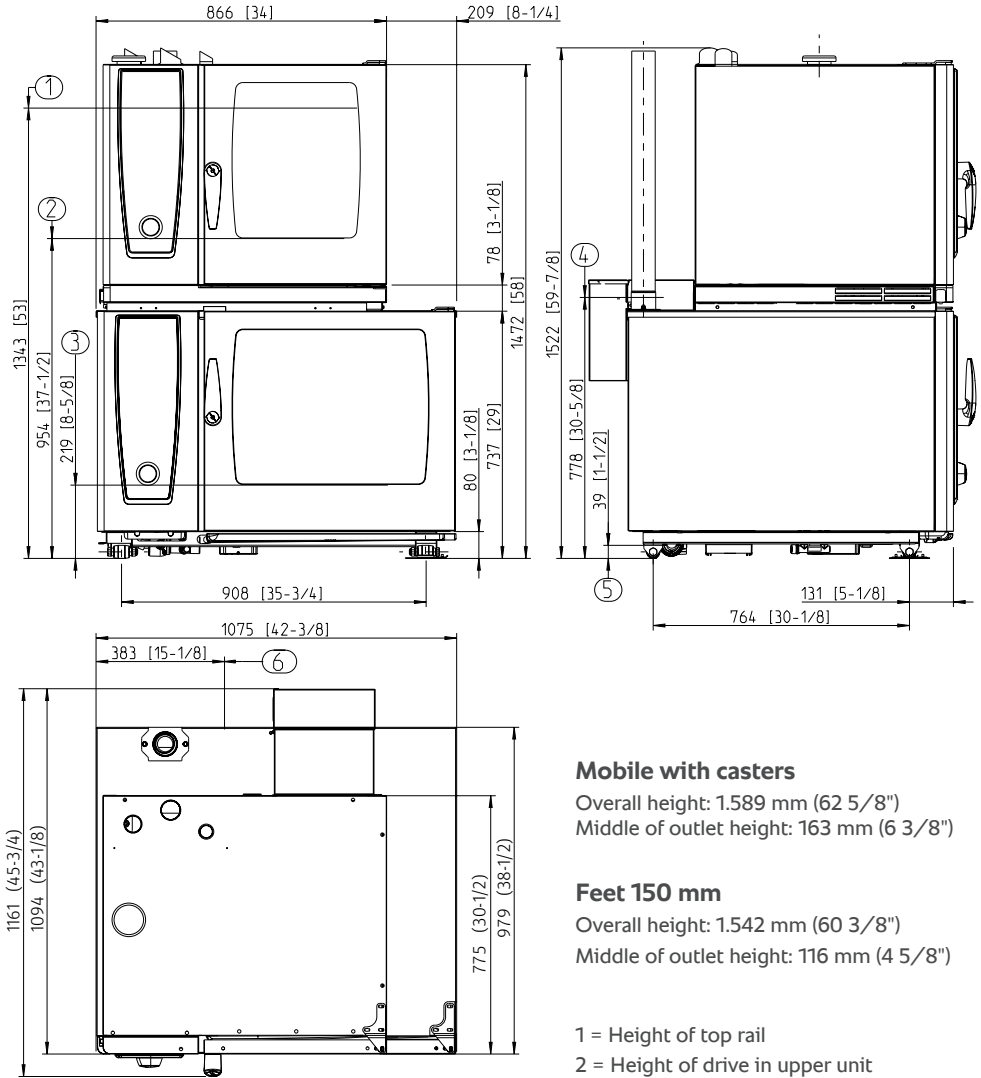
4 = Drain height upper unit

5 = Drain height lower unit

6 = Drain

mm (inch)

# 1.14. Type 6 x 1/1 Electric/Gas on 6 x 2/1 Electric (Standard – with rollers)



### Mobile with casters

Overall height: 1589 mm (62 5/8")

Middle of outlet height: 163 mm (6 3/8")

### Feet 150 mm

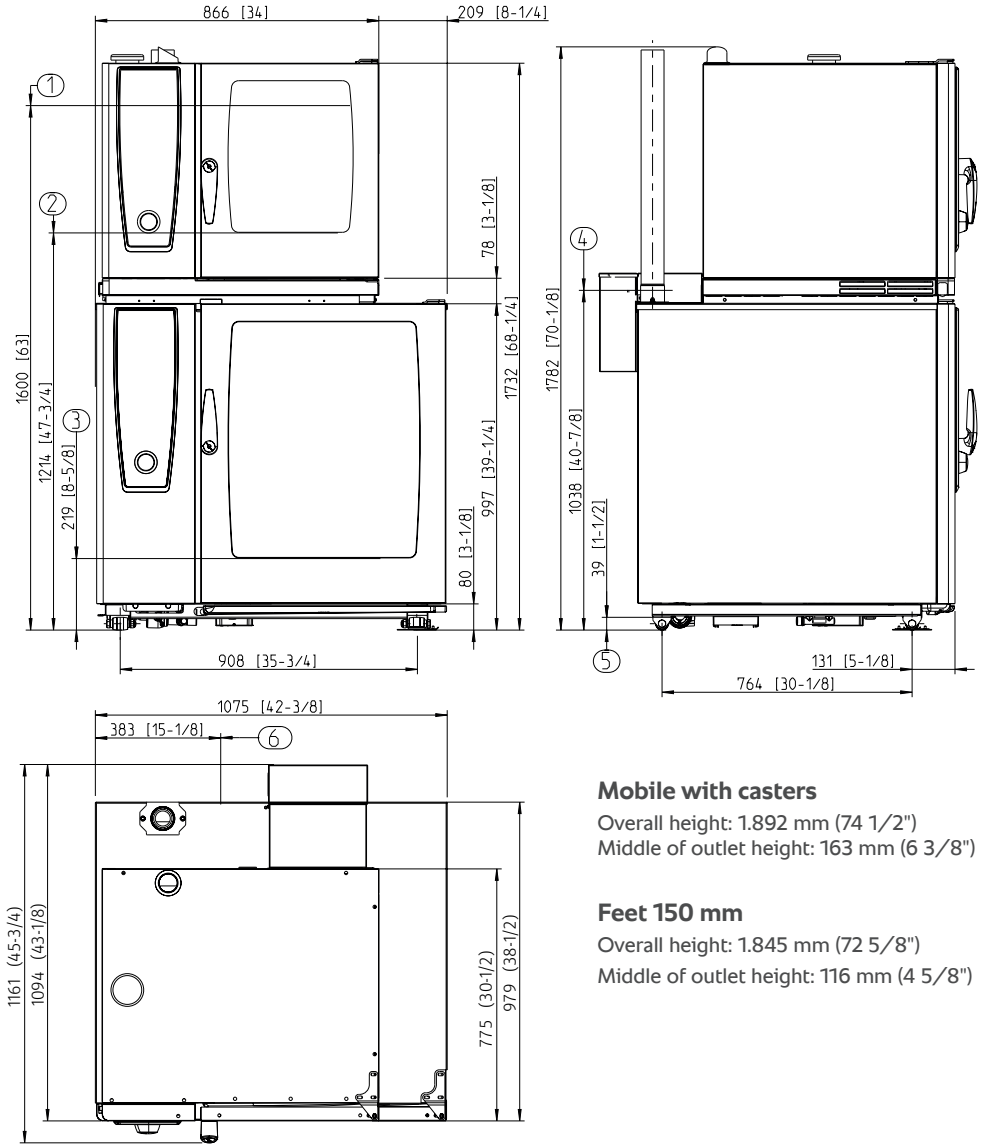
Overall height: 1542 mm (60 3/8")

Middle of outlet height: 116 mm (4 5/8")

- 1 = Height of top rail
- 2 = Height of drive in upper unit
- 3 = Height of drive in lower unit
- 4 = Drain height upper unit
- 5 = Drain height lower unit
- 6 = Drain



# 1.15. Type 6 x 1/1 Electric/Gas on 10 x 2/1 Electric (Standard – with rollers)



## Mobile with casters

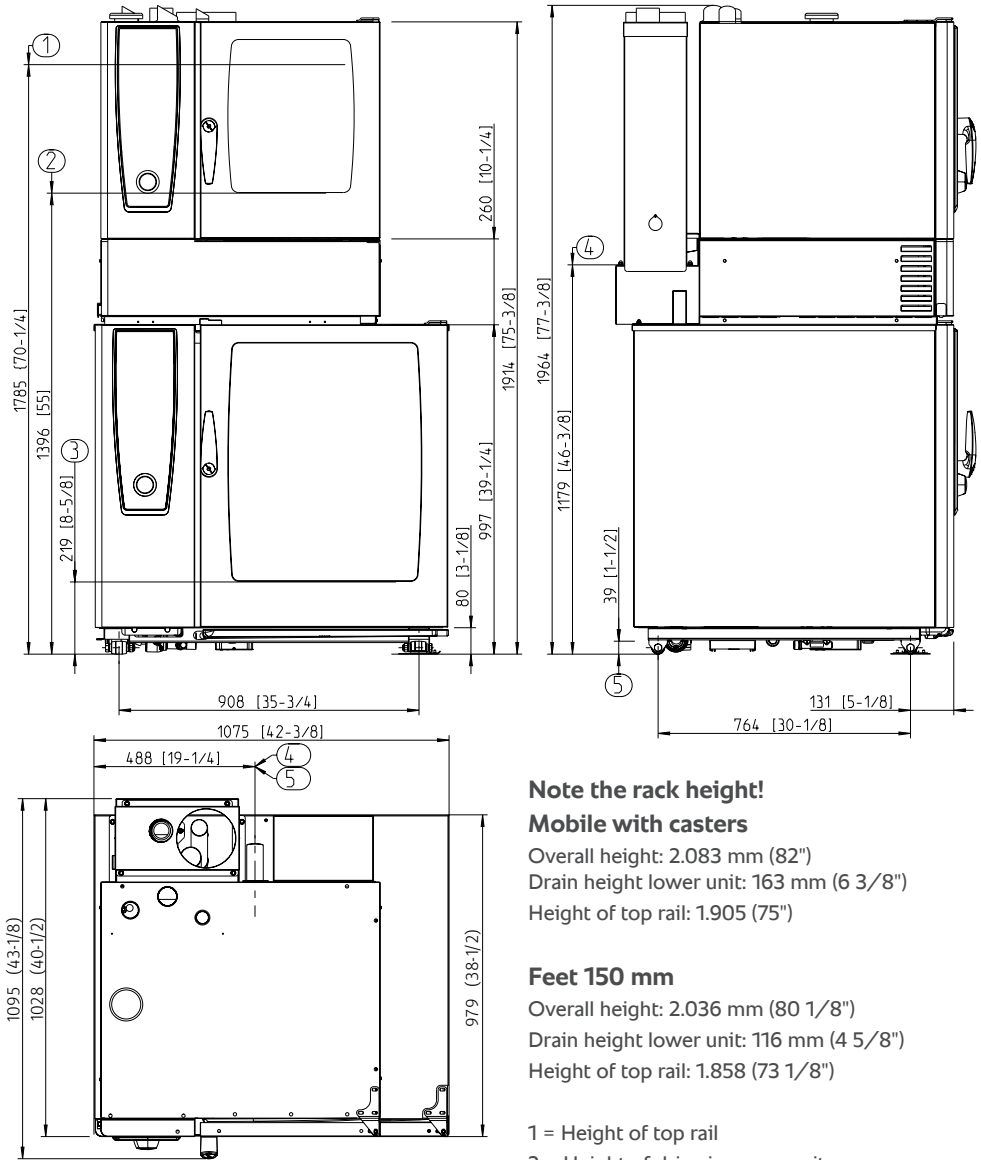
Overall height: 1.892 mm (74 1/2")  
Middle of outlet height: 163 mm (6 3/8")

## Feet 150 mm

Overall height: 1.845 mm (72 5/8")  
Middle of outlet height: 116 mm (4 5/8")

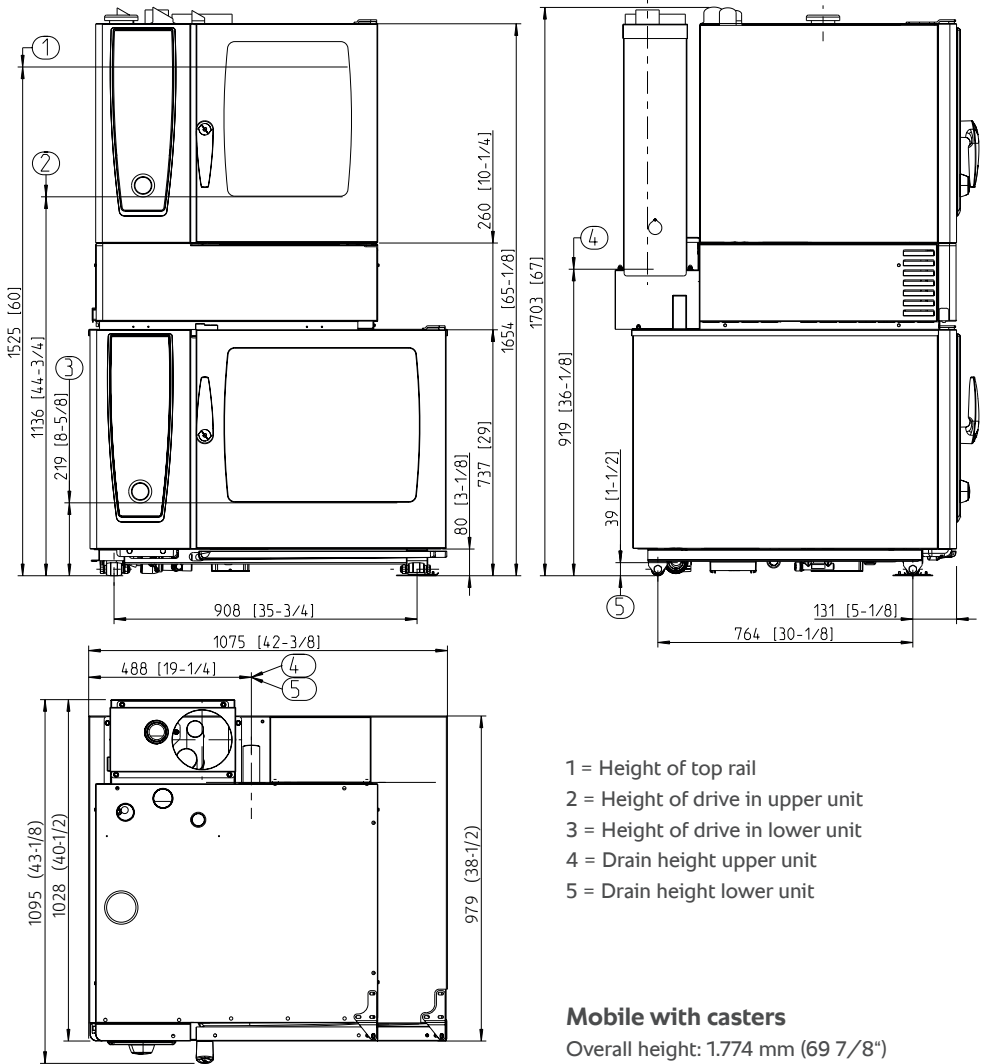
mm (inch)

# 1.16. Type 6 x 1/1 Electric/Gas on 10 x 2/1 Gas (Standard – with rollers)



mm (inch)

# 1.17. Type 6 x 1/1 GN Electric/Gas on 6 x 2/1 Gas (Standard – with rollers)



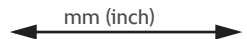
- 1 = Height of top rail
- 2 = Height of drive in upper unit
- 3 = Height of drive in lower unit
- 4 = Drain height upper unit
- 5 = Drain height lower unit

### Mobile with casters

Overall height: 1.774 mm (69 7/8")  
 Middle of outlet height: 163 mm (6 3/8")

### Feet 150 mm

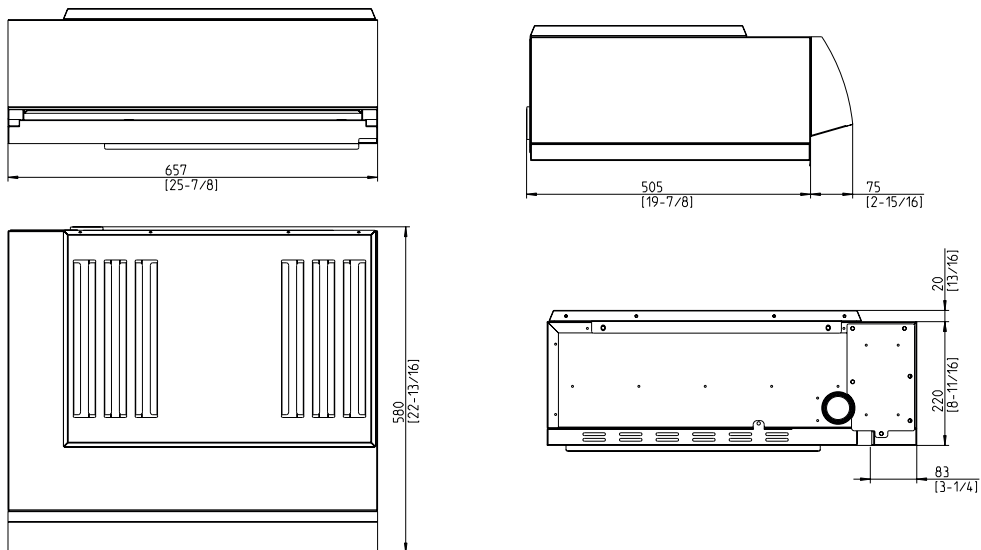
Overall height: 1.727 mm (68")  
 Middle of outlet height: 116 mm (4 5/8")



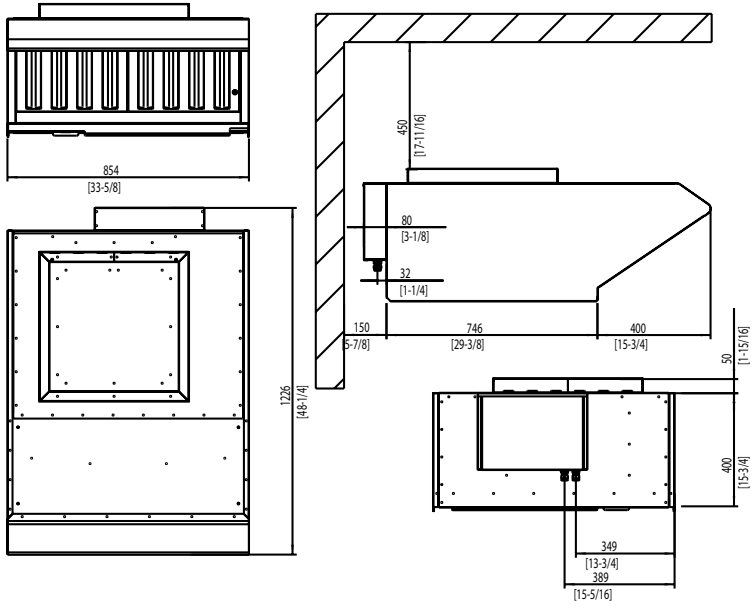


## 2.1. UltraVent XS type 6 2/3 Electric

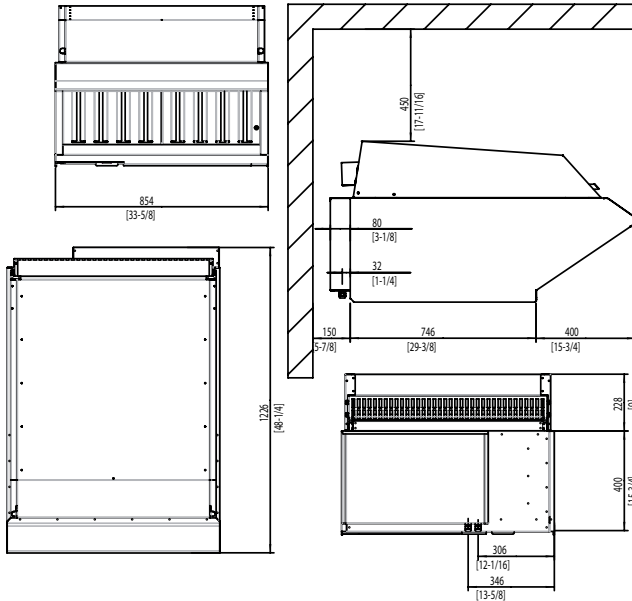
---



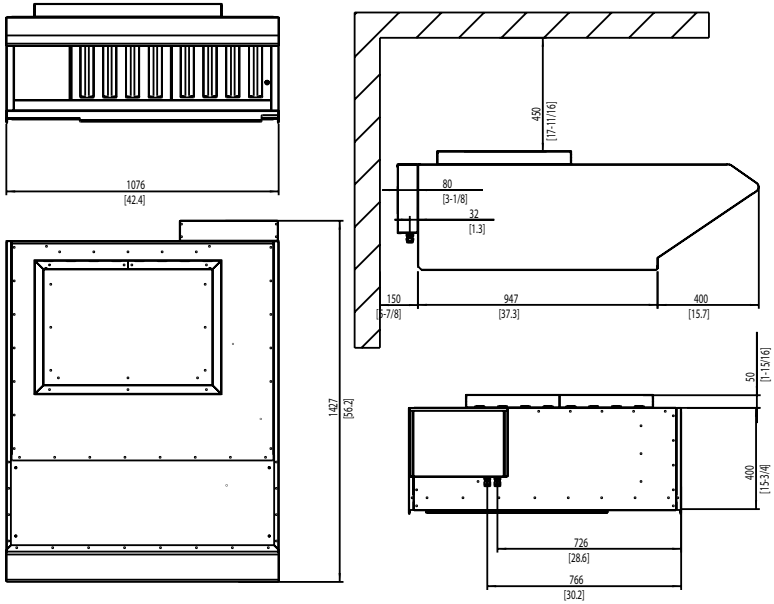
## 2.1. UltraVent 61/101 Electric



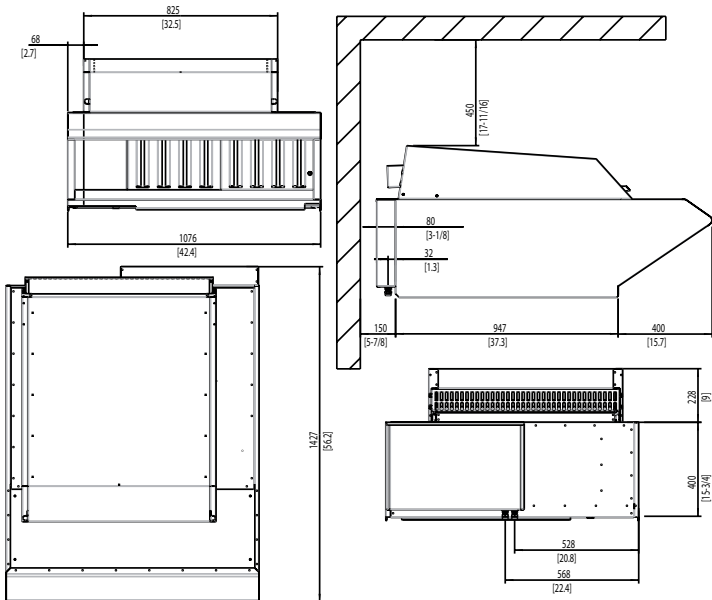
## 2.1. UltraVent Plus 61/101 Electric



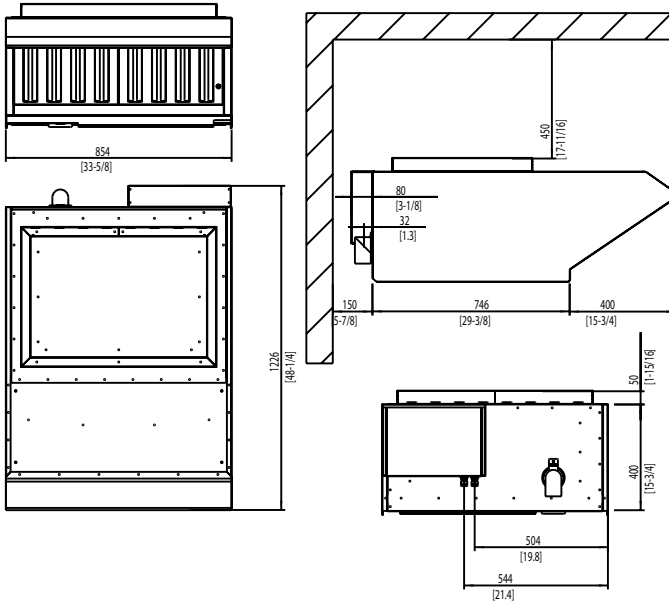
## 2.1. UltraVent 62/102 Electric



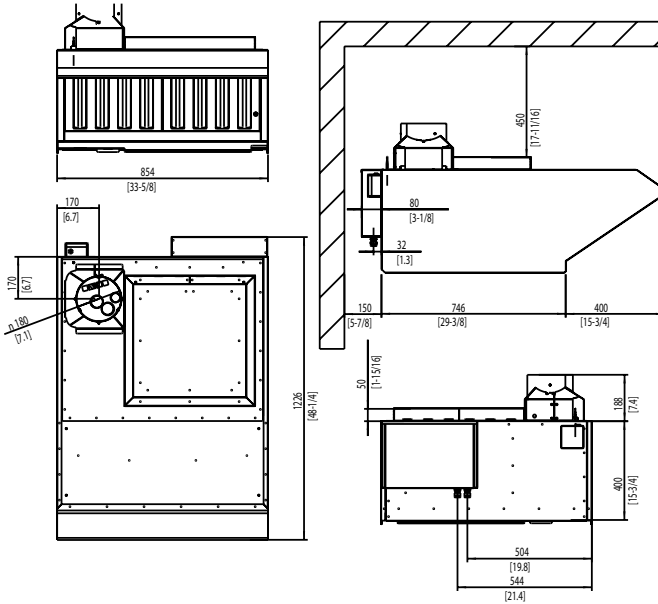
## 2.1. UltraVent Plus 62/102 Electric



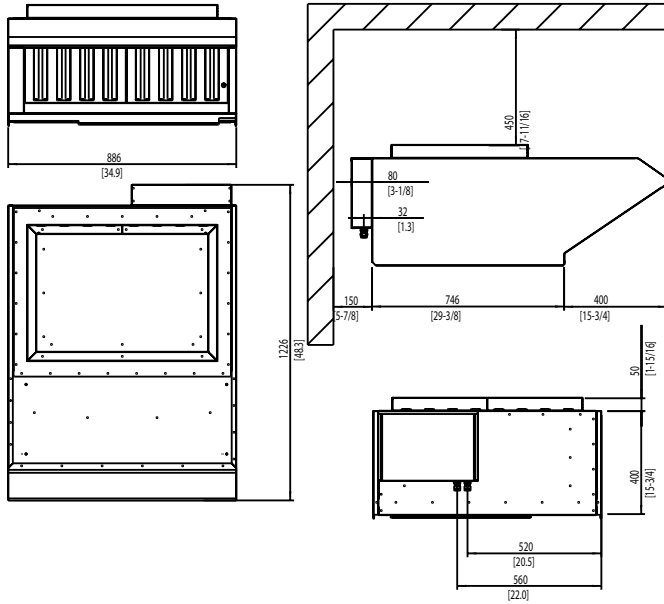
## 2.1. UltraVent 61/101 Electric Combi-Duo



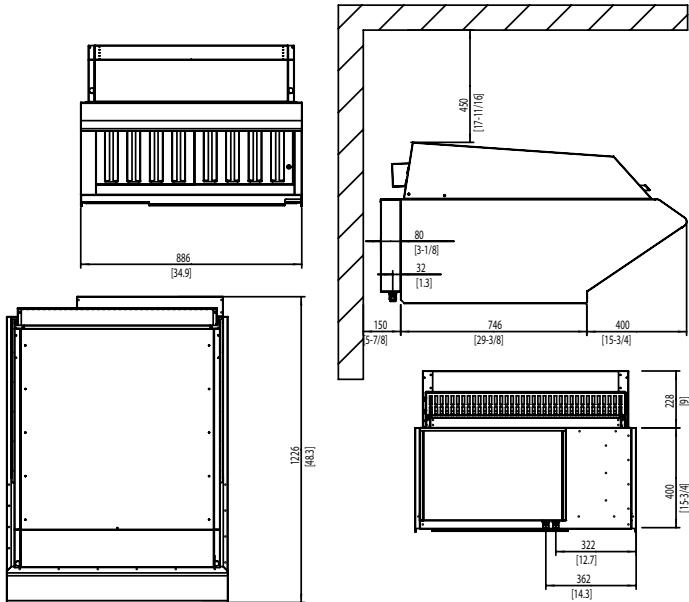
## 2.1. UltraVent 61/101 Gas



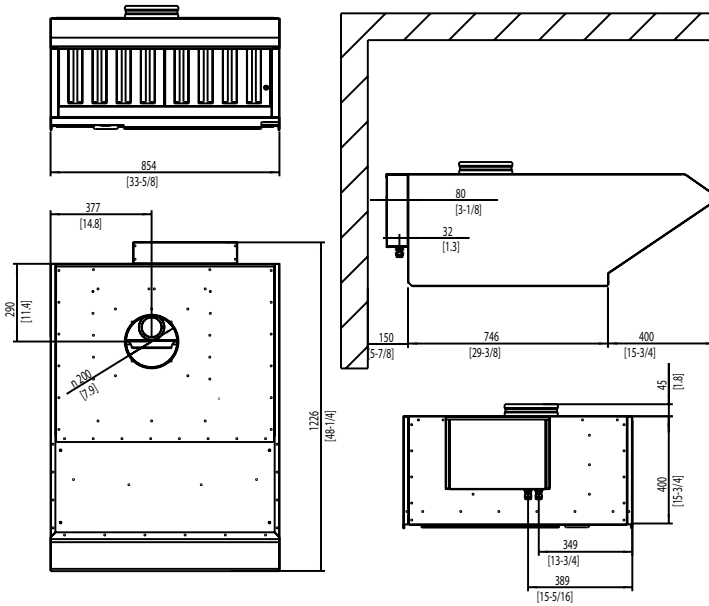
## 2.1. UltraVent 201 Electric



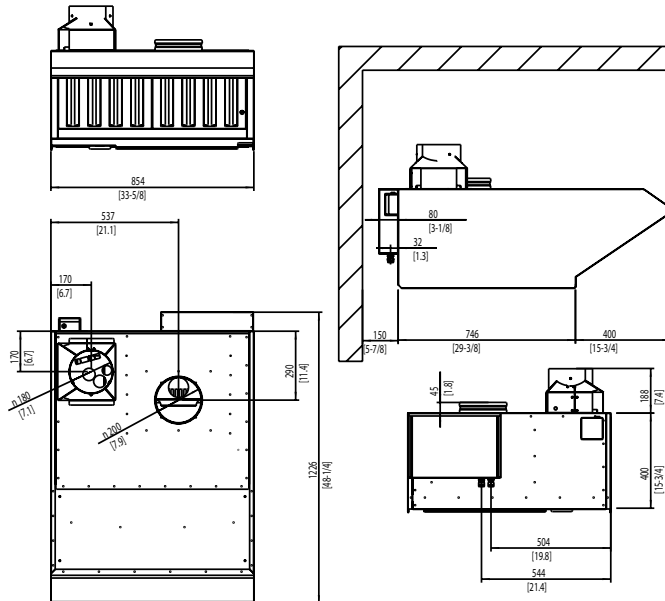
## 2.1. UltraVent Plus 201 Electric



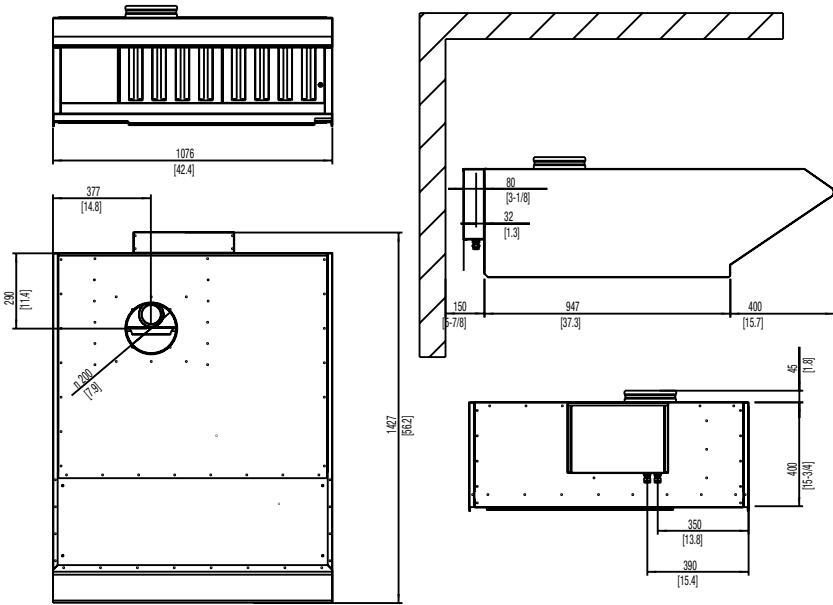
## 2.2. Exhaust hood 61/101 Electric



## 2.2. Exhaust hood 61/101 Gas

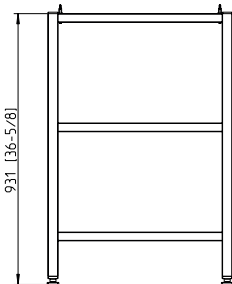


## 2.2. Exhaust hood 62/102 Electric

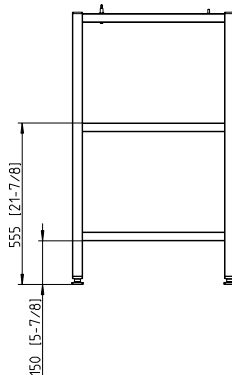


## 3.1. Stand UG I XS type 6 x 2/3 GN

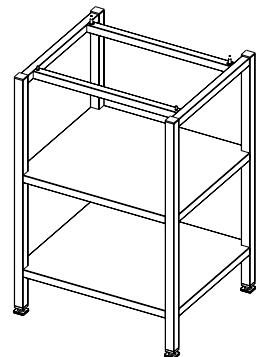
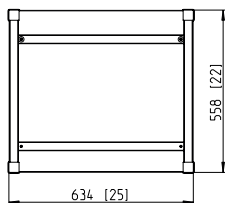
Vorderansicht  
front view



Seitenansicht  
side view



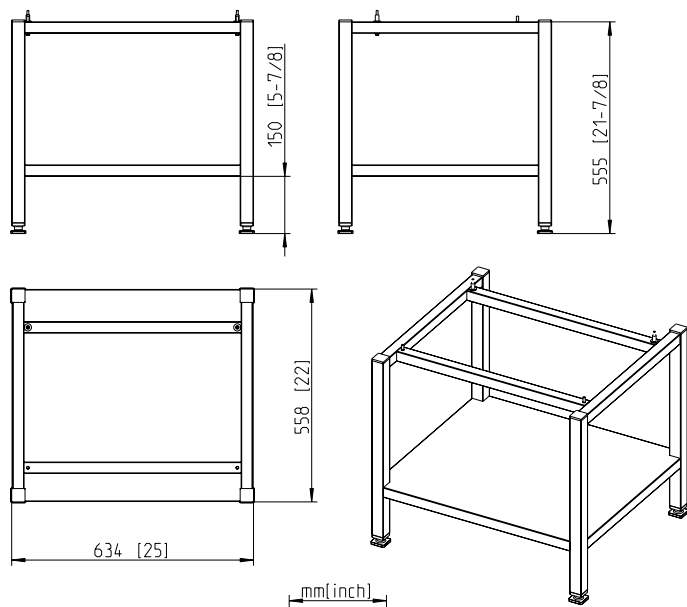
Draufsicht  
top view



mm (inch)

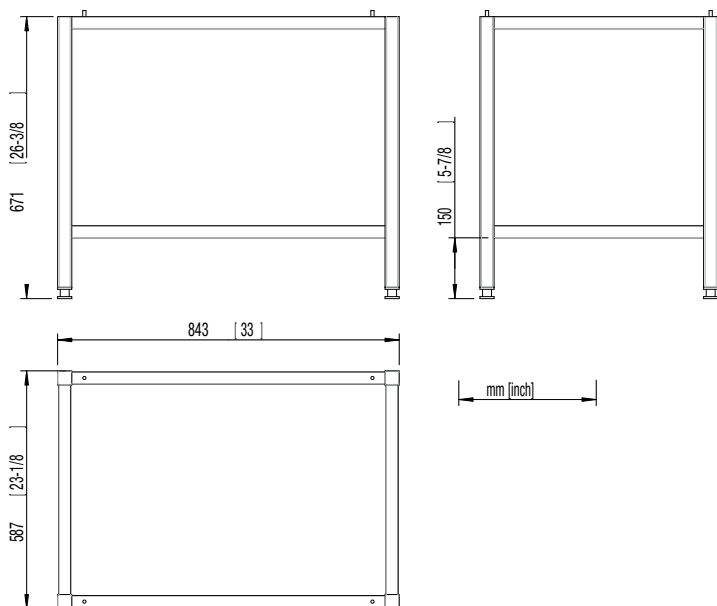
### 3.1. Stand UG I Combi-Duo XS type 6 x 2/3 GN

---



### 3.2. Stand UG I type 6 x 1/1 GN / 10 x 1/1 GN

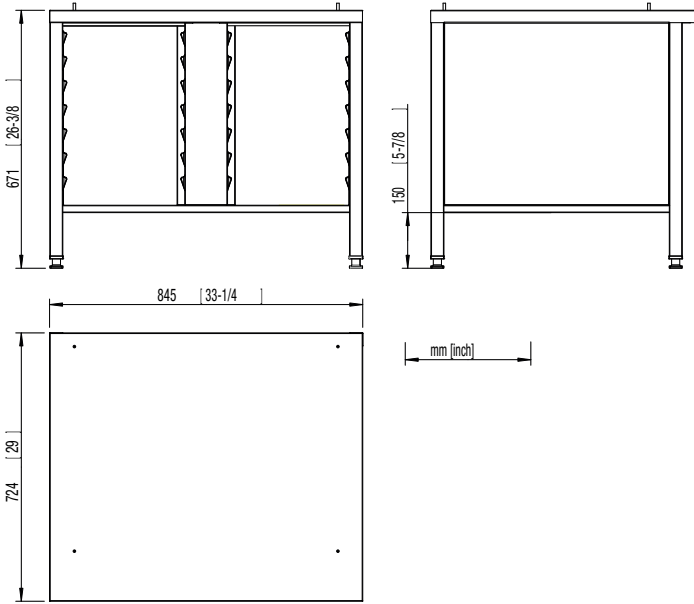
---





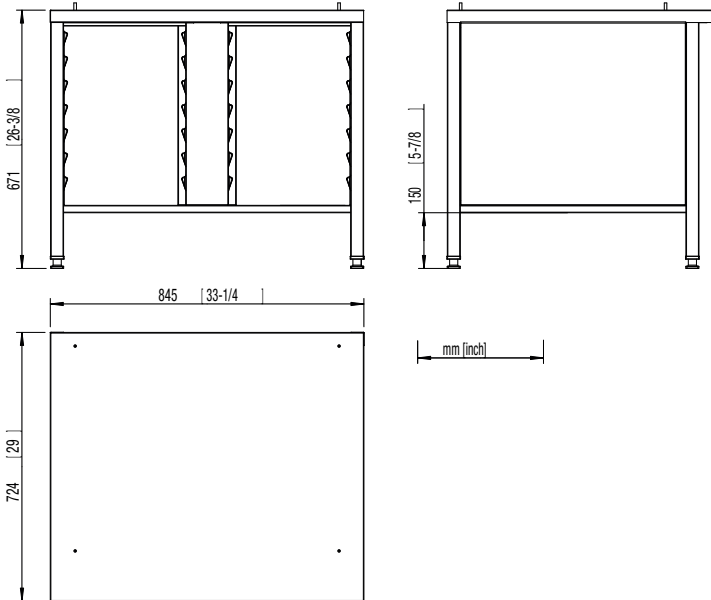
### 3.2. Stand UG II type 6 x 1/1 GN / 10 x 1/1 GN

---



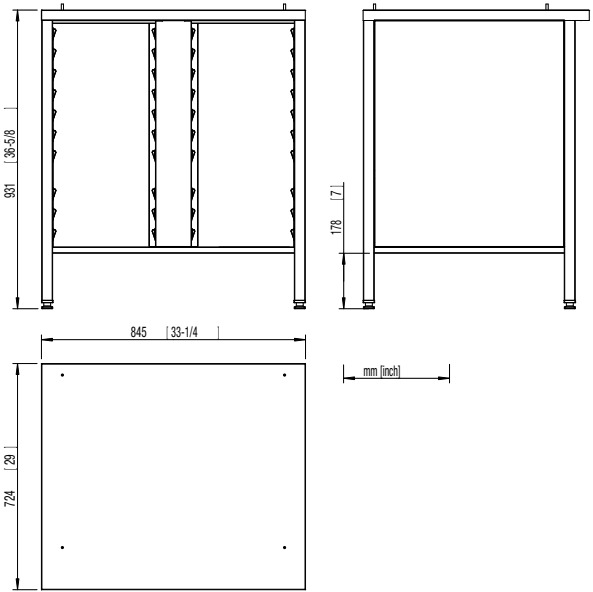
### 3.2. Base cabinet US III type 6 x 1/1 GN / 10 x 1/1 GN

---



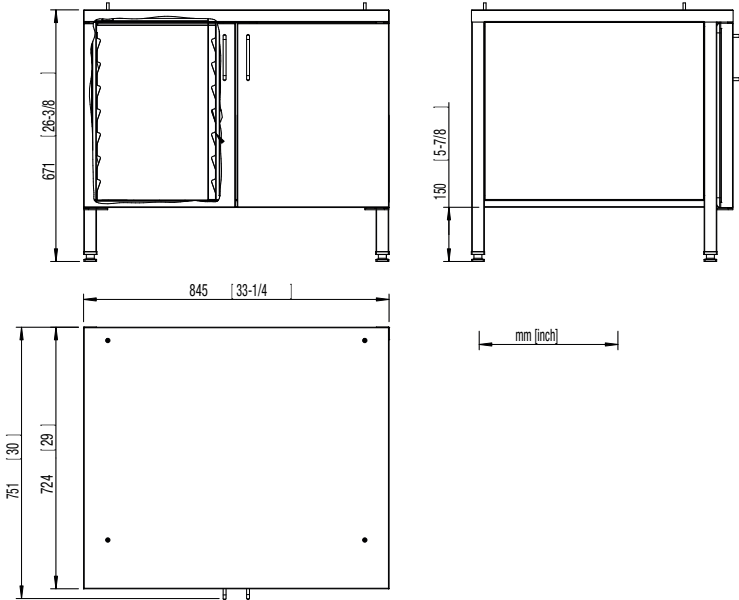
### 3.2. Base cabinet US III type 6 x 1/1 GN version UltraVent

---



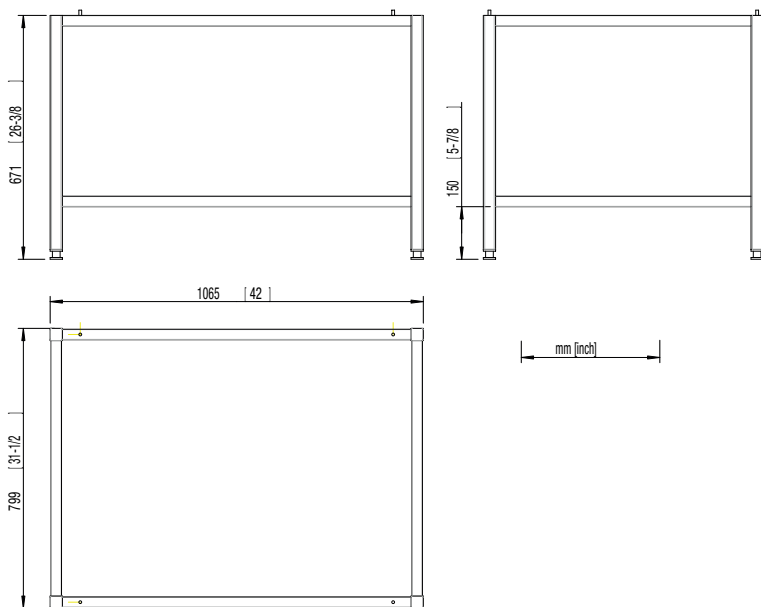
### 3.2. Base cabinet US IV type 6 x 1/1 GN / 10 x 1/1 GN

---



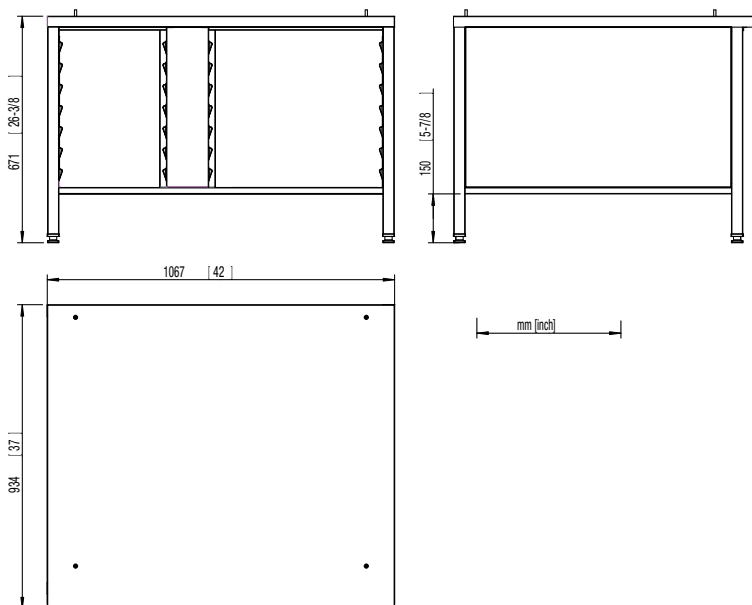
### 3.3. Stand UG I type 6 x 2/1 GN / 10 x 2/1 GN

---



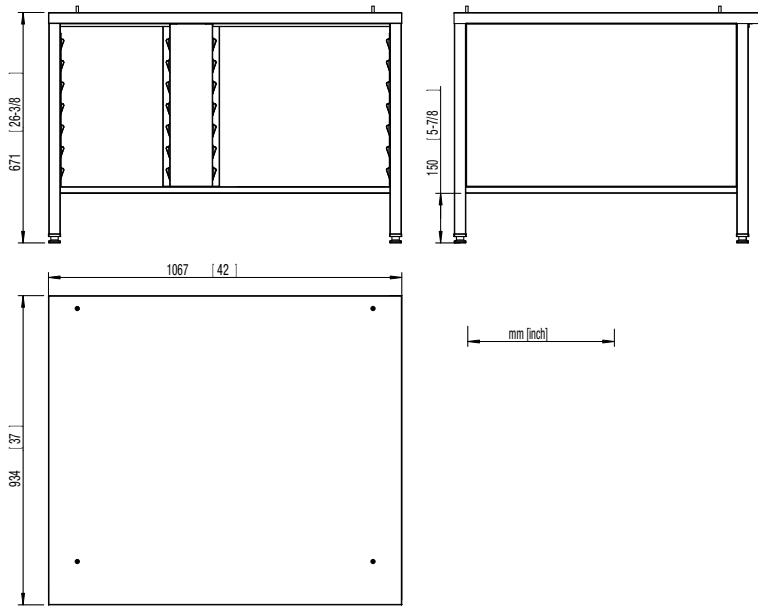
### 3.3. Stand UG II type 6 x 2/1 GN / 10 x 2/1 GN

---



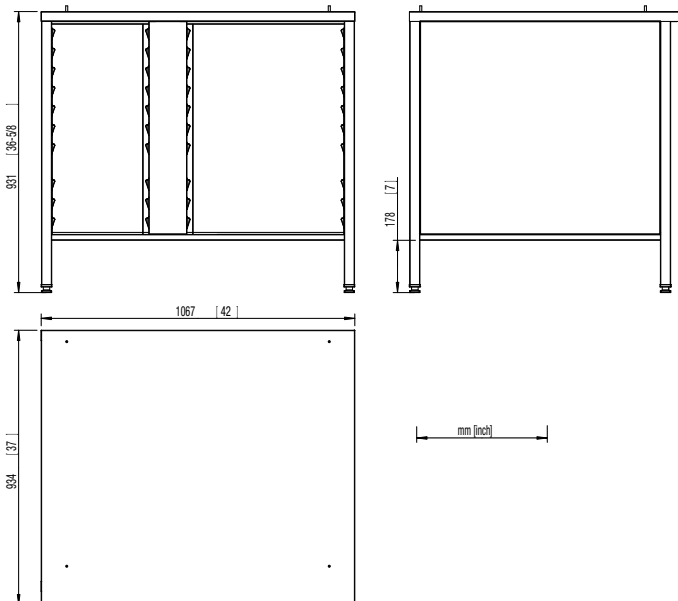
### 3.3. Base cabinet US III type 6 x 2/1 GN / 10 x 2/1 GN

---

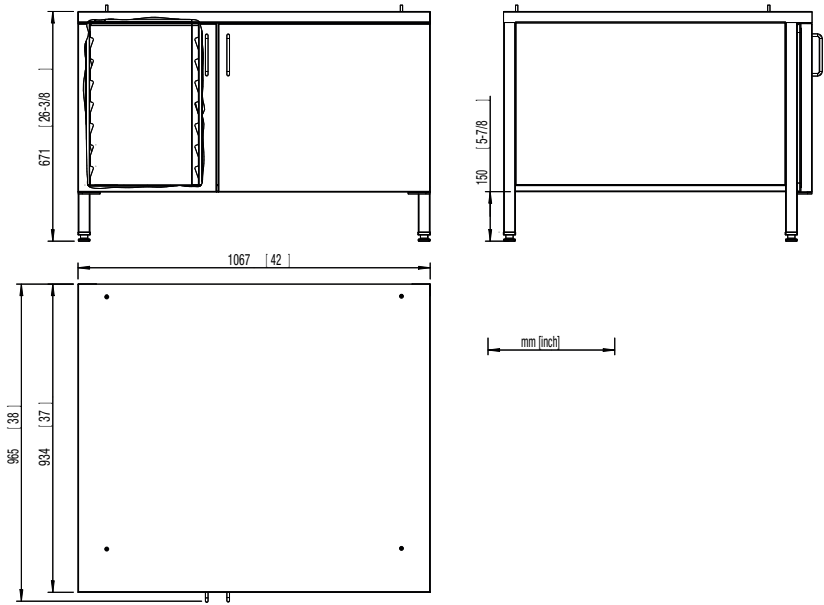


### 3.3. Base cabinet US III type 6 x 2/1 GN version UltraVent

---

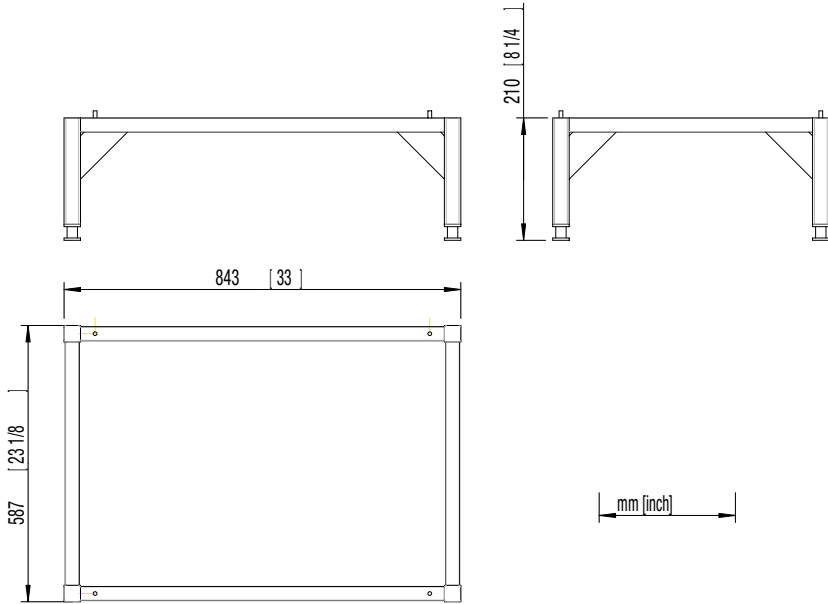


### 3.3. Base cabinet US IV type 6 x 2/1 GN / 10 x 2/1 GN



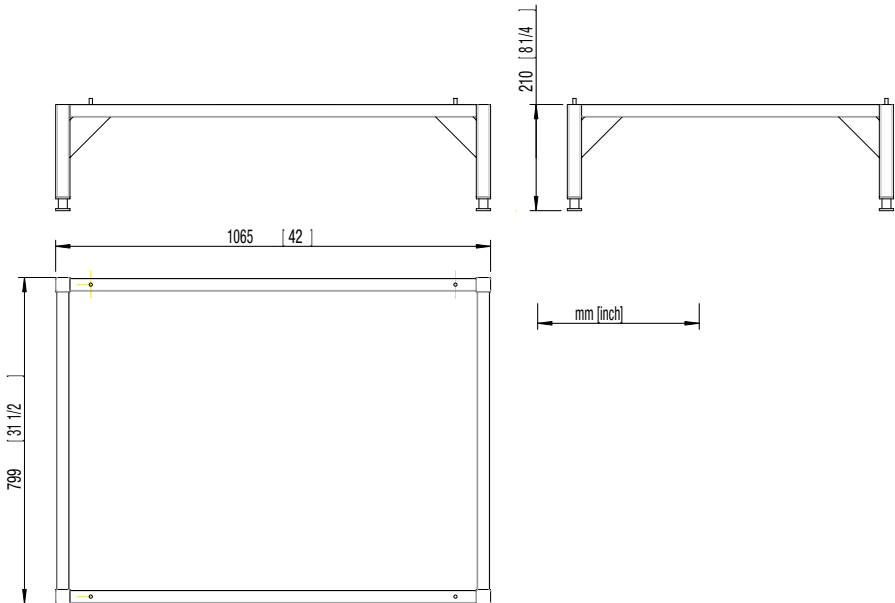
### 3.4. Stand UG I type 6 x 1/1 GN Combi-Duo

---



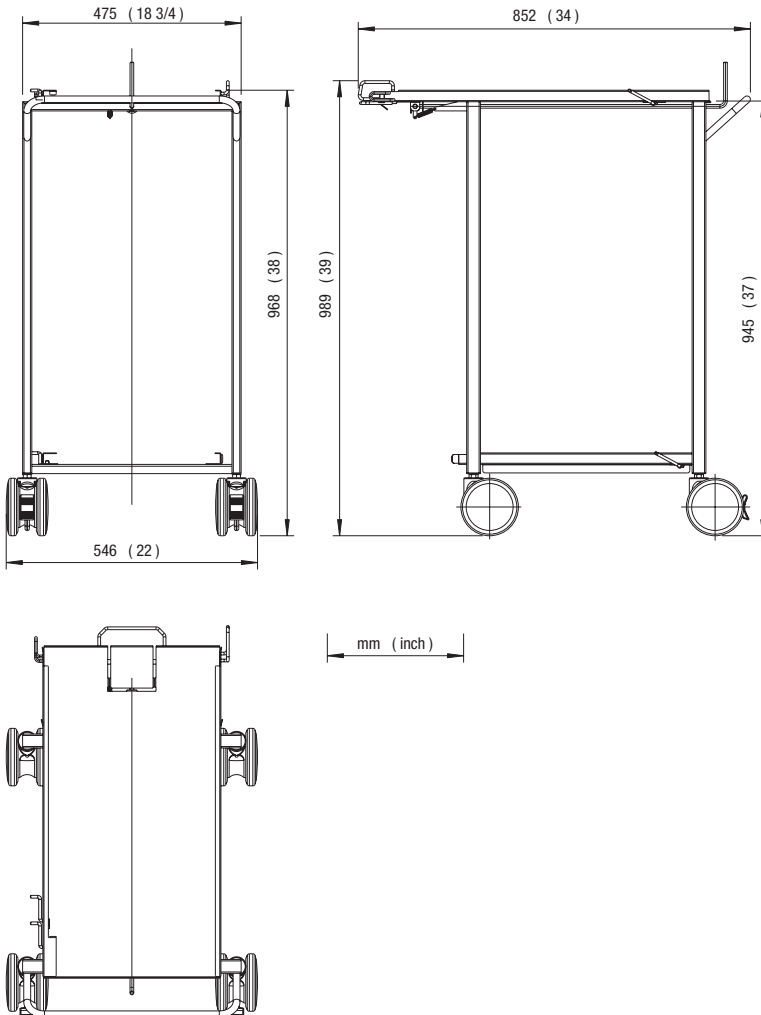
### 3.4. Stand UG I type 6 x 2/1 GN Combi-Duo

---



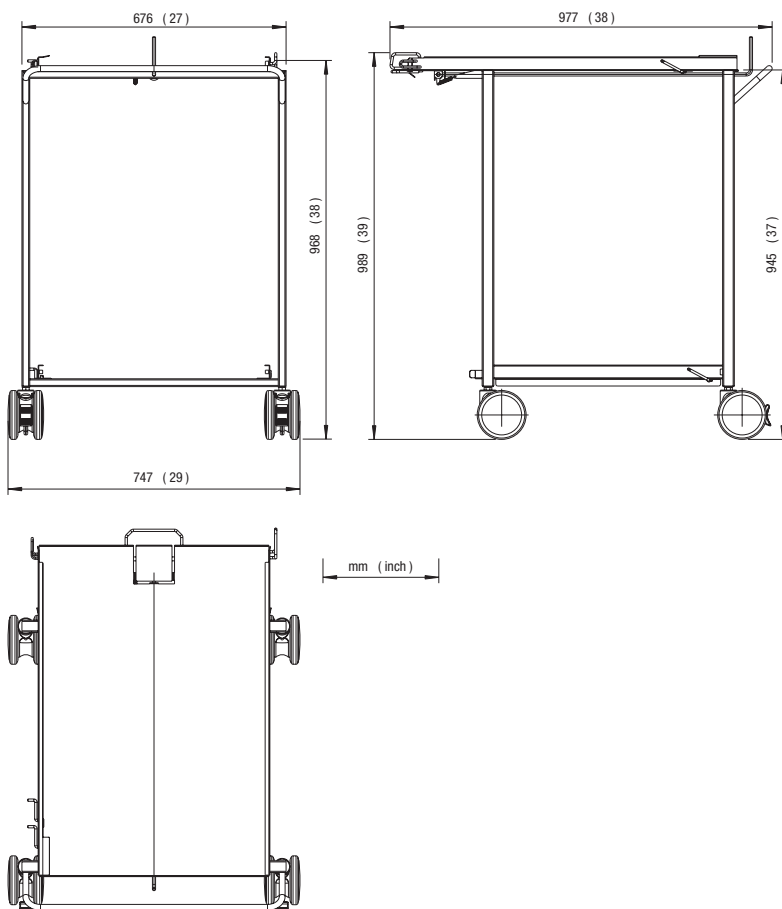
## 4.1. Transport trolley type 6 x 1/1 GN / 10 x 1/1 GN

---



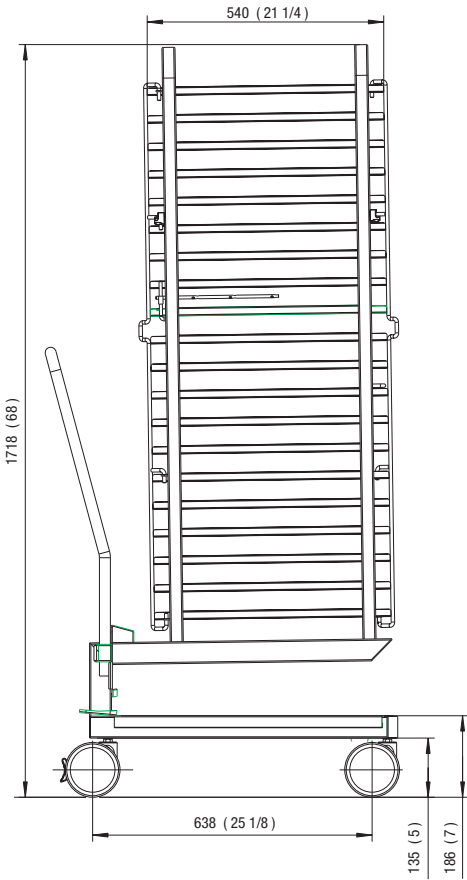
## 4.2. Transport trolley type 6 x 2/1 GN / 10 x 2/1 GN

---

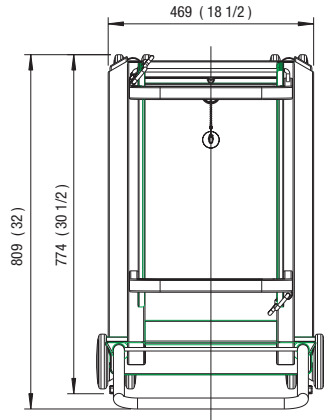
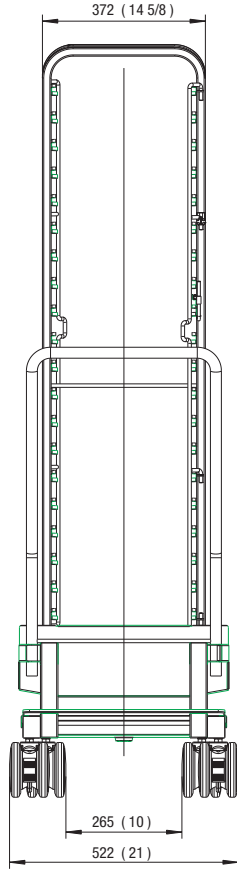




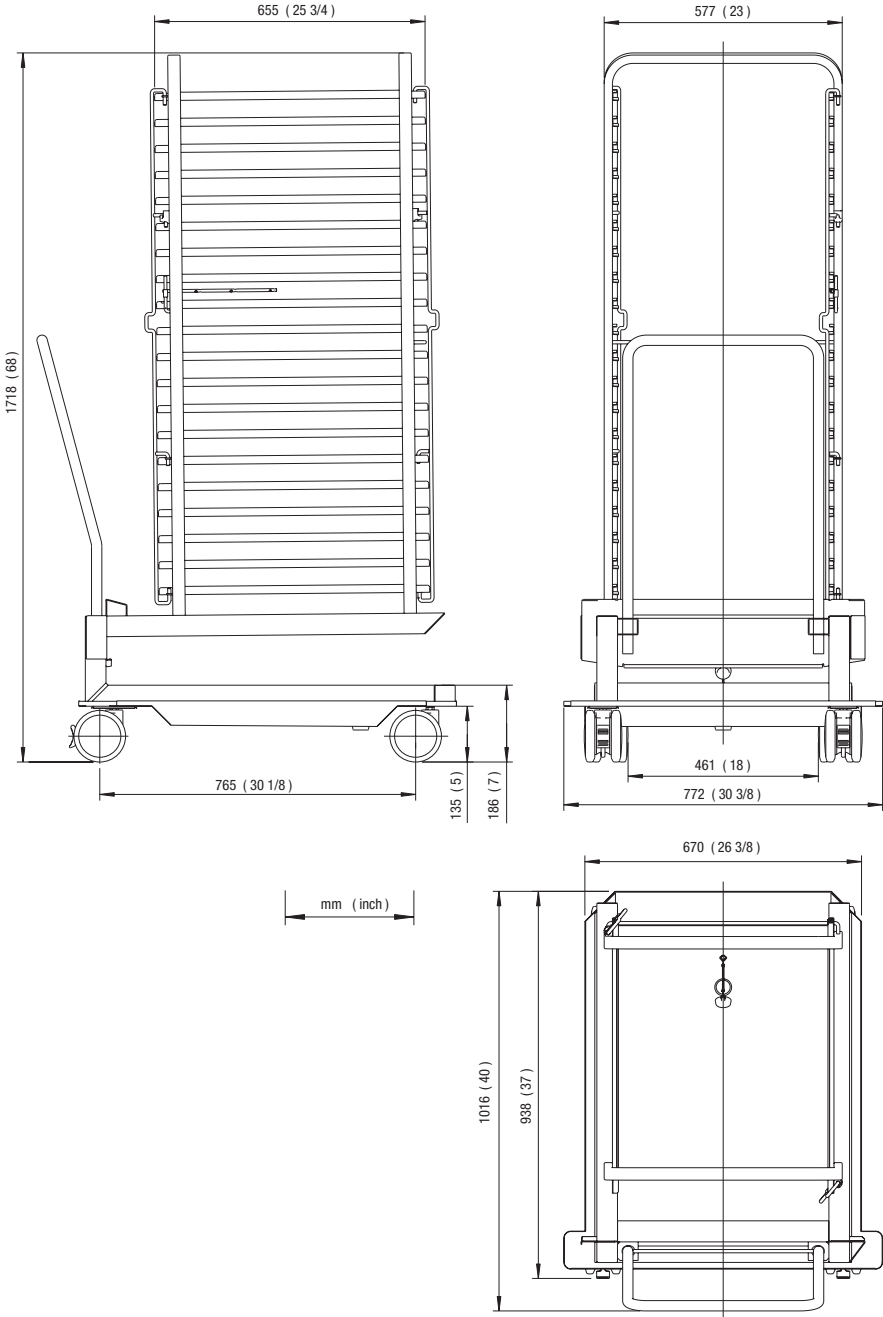
# 5.1. Mobile oven rack type 20 x 1/1 GN



mm (inch)



## 5.2. Mobile oven rack type 20 x 2/1 GN





---

---

---

---

---

---

---

---

---

---

---

---

---

---

---

---

---

---

---

---

---

---

---

---

---

---

**RATIONAL International AG**

Heinrich-Wild-Straße 202

9435 Heerbrugg

Switzerland

Tel. +41 (0)71 727 9090

Fax +41 (0)71 727 9080

[info@rational-international.com](mailto:info@rational-international.com)

[rational-international.com](http://rational-international.com)